



DESCRIPTION

The A25D40 is 4M-bit Serial Peripheral Interface (SPI) Flash memory, and supports the Dual SPI: Serial Clock, Chip Select, Serial Data I/O0 (SI), I/O1 (SO). The Dual Output data is transferred with speed of 108Mbits/s. The device uses a single low voltage power supply, ranging from 2.7 Volt to 3.6 Volt.

Additionally, the device supports JEDEC standard manufacturer and device ID.

The A25D40 is available in SOP8, TSSOP8 and DFN8(2x3) packages.

ORDERING INFORMATION

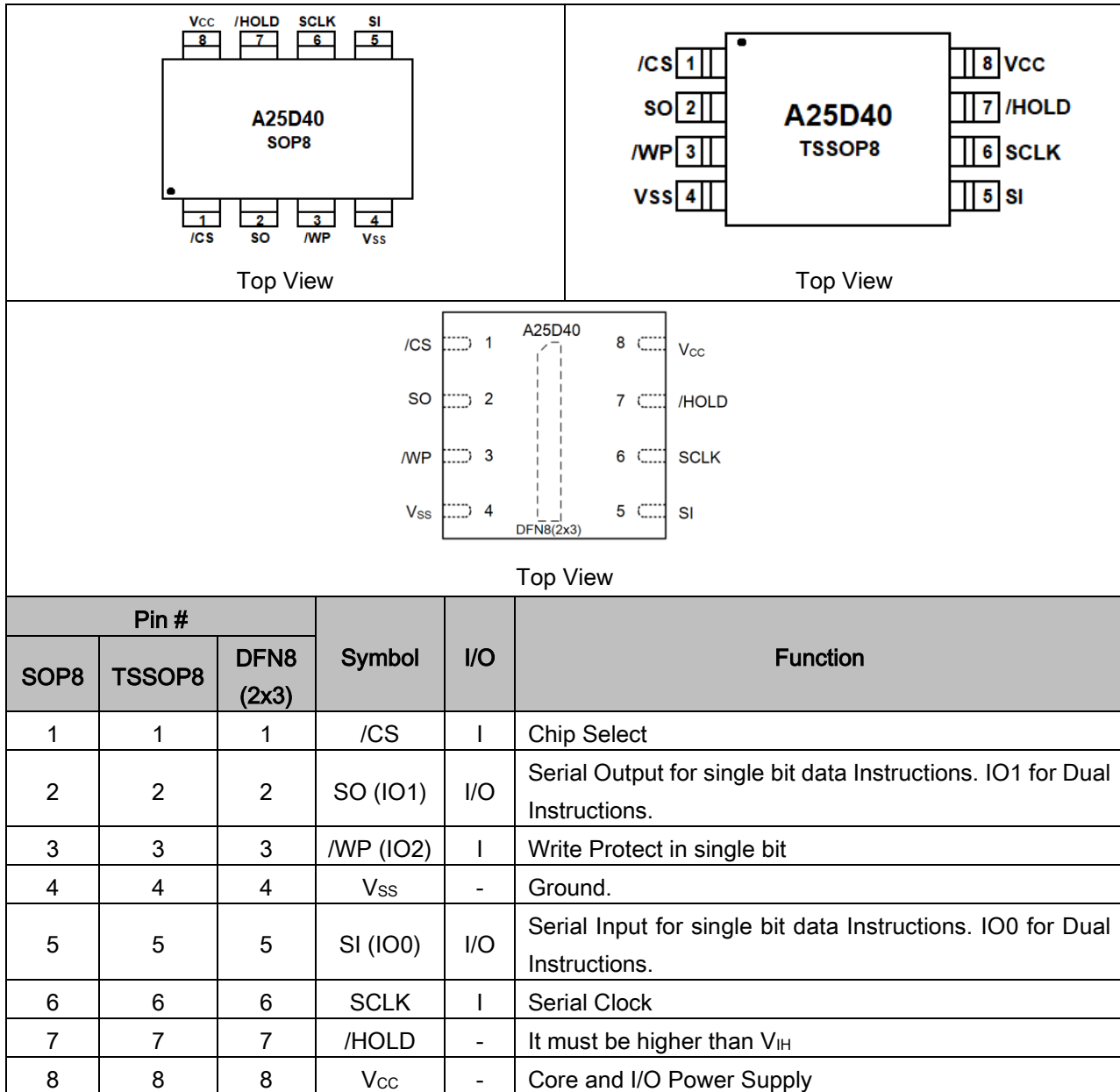
Package Type	Part Number	
SOP8 150mil SPQ: 2,500pcs/Reel SPQ: 100pcs/Tube 208mil SPQ: 2,000pcs/Reel SPQ: 95pcs/Tube	M8	A25D40M8R-X
		A25D40M8U-X
		A25D40M8VR-X
		A25D40M8VU-X
TSSOP8 173mil SPQ: 5,000pcs/Reel SPQ: 100pcs/Tube	TMX8	A25D40TMX8R
		A25D40TMX8U
		A25D40TMX8VR
		A25D40TMX8VU
DFN8(2x3) SPQ: 3,000pcs/Reel	J8	A25D40J8R
		A25D40J8VR
Note	X: Package Type A: 150mil B: 208mil V: Halogen free Package R: Tape & Reel U: Tube	
AiT provides all RoHS products		

FEATURES

- Serial Peripheral Interface (SPI)
 - Standard SPI: SCLK, /CS, SI, SO, /WP
 - Dual SPI: SCLK, /CS, IO0, IO1, /WP
- Read
 - Normal Read (Serial): 55MHz clock rate
 - Fast Read (Serial): 108MHz clock rate
 - Dual Read: 108MHz clock rate
- Program
 - Serial-input Page Program up to 256bytes
- Erase
 - Block erase (64/32 kB)
 - Sector erase (4 kB)
 - Chip erase
- Program/Erase Speed
 - Page Program time: 0.7ms typical
 - Sector Erase time: 100ms typical
 - Block Erase time: 0.3/0.5s typical
 - Chip Erase time: 3s typical
- Flexible Architecture
 - Sector of 4k-byte
 - Block of 32/64k-byte
- Low Power Consumption
 - 20mA maximum active current
 - 5uA maximum power down current
- Software/Hardware Write Protection
 - Enable/Disable protection with WP Pin
 - Write protect all/portion of memory via software
 - Top or Bottom, Sector or Block selection
- Single Supply Voltage
 - Full voltage range: 2.7~3.6V
- Temperature Range
 - Commercial (0°C to +70°C)
 - Industrial (-40°C to +85°C)
- Cycling Endurance/Data Retention
 - Typical 100k Program-Erase cycles on any sector
 - Typical 20-year data retention at +55°C
- Available in SOP8, TSSOP8 and DFN8(2x3) packages



PIN DESCRIPTION



SIGNAL DESCRIPTION

During all operations, V_{CC} must be held stable and within the specified valid range: V_{CC(min)} to V_{CC(max)}.

All of the input and output signals must be held High or Low (according to voltages of V_{IH}, V_{OH}, V_{IL} or V_{OL}, DC Electrical Characteristics on page 5). These signals are described next.



ABSOLUTE MAXIMUM RATINGS

V _{CC} , Supply Voltage		-0.5V ~ 4V
V _{IO} , Voltage Applied to Any Pin	Relative to Ground	-0.5V ~ 4V
V _{IOT} , Transient Voltage on Any Pin	<20ns Transient Relative to Ground	-2.0V ~ V _{CC} +2.0V
T _{STG} , Storage Temperature		-65°C ~ +150°C
V _{ESD} , Electrostatic Discharge Voltage	Human Body Model ^{NOTE1}	-2000V ~ +2000V

Stress beyond above listed "Absolute Maximum Ratings" may lead permanent damage to the device. These are stress ratings only and operations of the device at these or any other conditions beyond those indicated in the operational sections of the specifications are not implied. Exposure to absolute maximum rating conditions for extended periods may affect device reliability.

NOTE1: JEDEC Std JESD22-A114 (C1=100pF, R1=1500 ohms, R2=500 ohms)

OPERATING RANGES

Parameter	Symbol	Conditions	Min.	Typ.	Max.	Unit
Supply Voltage	V _{CC}		2.7	-	3.6	V
Temperature Operating	T _A	Commercial Industrial	0 -40	-	+70 +85	°C

DATA RETENTION AND ENDURANCE

Parameter	Conditions	Min.	Typ.	Max.	Unit
Minimum Pattern Data Retention Time	150°C	10	-	-	Years
	125°C	20	-	-	Years
Erase/Program Endurance	-40 to 85°C	100k	-	-	Cycles



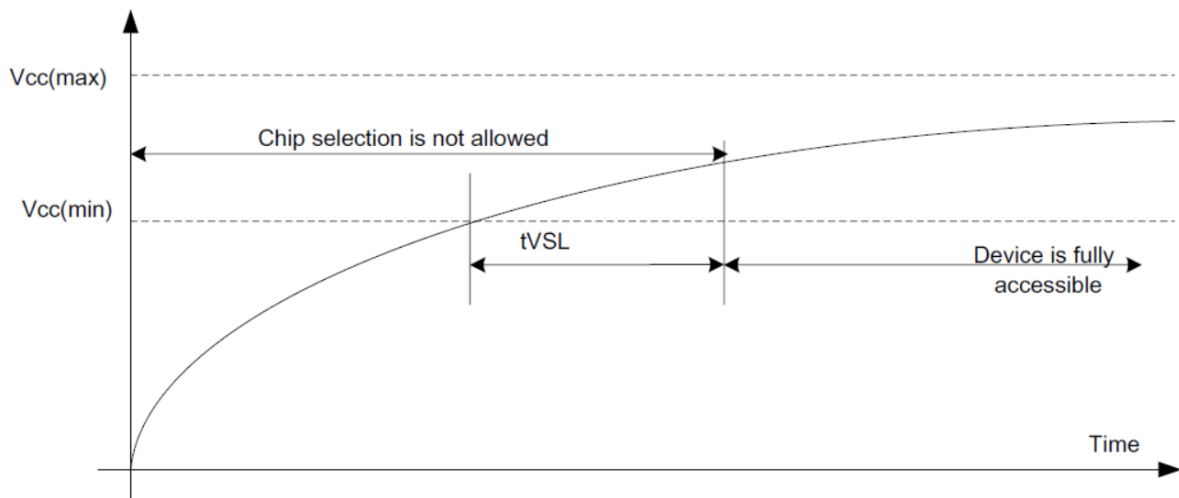
LATCH UP CHARACTERISTICS

Parameter	Conditions	Min.	Typ.	Max.	Unit
Input Voltage Respect To V_{SS} On I/O Pins		-1.0	-	V_{CC} +1.0	V
V_{CC} Current		-100	-	100	mA

POWER-UP TIMING

Parameter	Symbol	Min.	Typ.	Max.	Unit
$V_{CC(min)}$ To /CS Low	t_{VSL}	300	-	-	us

Figure 1. Power-up Timing and Voltage Levels





DC ELECTRICAL CHARACTERISTICS

T= -40°C~85°C, V_{CC}=2.7~3.6V

Parameter	Symbol	Conditions	Min.	Typ.	Max.	Unit.
Input Leakage Current	I _{LI}		-	-	±2	µA
Output Leakage Current	I _{LO}		-	-	±2	µA
Standby Current	I _{CC1}	/CS=V _{CC} , V _{IN} =V _{CC} or V _{SS}	-	13	25	µA
Deep Power-Down Current	I _{CC2}	/CS=V _{CC} , V _{IN} =V _{CC} or V _{SS}	-	2	5	µA
Operation Current: (Read)	I _{CC3}	SCLK=0.1V _{CC} /0.9V _{CC} NOTE ¹ at 108MHz, Q=Open(*1,*2,*4 I/O)	-	13	18	mA
Operating Current(PP)	I _{CC4}	/CS=V _{CC}	-	-	15	mA
Operating Current (WRSR)	I _{CC5}	/CS=V _{CC}	-	-	5	mA
Operating Current (Sector Erase)	I _{CC6}	/CS=V _{CC}	-	-	20	mA
Operating Current (Block Erase)	I _{CC7}	/CS=V _{CC}	-	-	20	mA
Operating Current (Chip Erase)	I _{CC8}	/CS=V _{CC}	-	-	20	mA
Input Low Voltage	V _{IL}		-0.5	-	0.2V _{CC}	V
Input High Voltage	V _{IH}		0.8V _{CC}	-	V _{CC} +0.4	V
Output Low Voltage	V _{OL}	I _{OL} =100µA	-	-	0.4	V
Output High Voltage	V _{OH}	I _{OH} =-100µA	V _{CC} -0.2	-	-	V

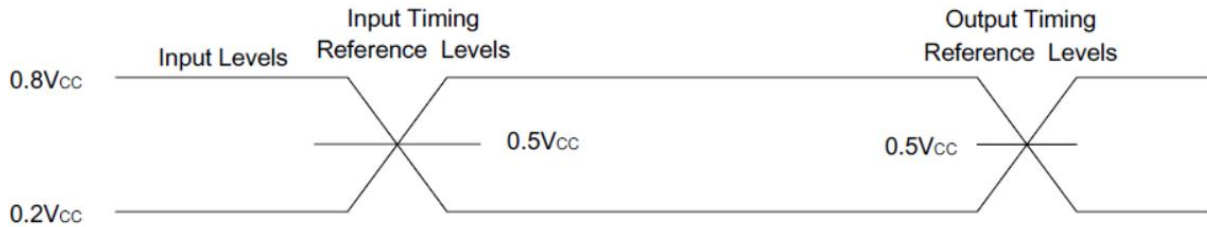
NOTE1: I_{CC3} is measured with ATE loading

AC MEASUREMENT CONDITIONS

Parameter	Symbol	Conditions	Min	Typ.	Max	Unit
Load Capacitance	C _L		-	-	30	pF
Input Rise and Fall Time	t _R , t _F		-	-	5	ns
Input Pause Voltage	V _{IN}		0.2V _{CC} to 0.8V _{CC}			V
Input Timing Reference Voltage	IN		0.5V _{CC}			V
Output Timing Reference Voltage	OUT		0.5V _{CC}			V



Figure 2. AC Measurement I/O Waveform



AC ELECTRICAL CHARACTERISTICS

Parameter	Symbol	Min.	Typ.	Max.	Unit.
Clock Frequency For All Instructions, Except Read Data(03H)	f _C	DC.	-	108	MHz
Clock freq. Read Data instruction(03H)	f _R	DC.	-	55	MHz
Serial Clock High Time	t _{CLH}	4	-	-	ns
Serial Clock Low Time	t _{CLL}	4	-	-	ns
Serial Clock Rise Time (Slew Rate)	t _{CLCH}	0.1 ^{NOTE1}	-	-	V/ns
Serial Clock Fall Time (Slew Rate)	t _{CHCL}	0.1 ^{NOTE1}	-	-	V/ns
/CS Active Setup Time	t _{SLCH}	5	-	-	ns
/CS Active Hold Time	t _{CHSH}	5	-	-	ns
/CS Not Active Setup Time	t _{SHCH}	5	-	-	ns
/CS Not Active Hold Time	t _{CHSL}	5	-	-	ns
/CS High Time (read/write)	t _{SHSL}	20	-	-	ns
Output Disable Time	t _{SHQZ}	-	-	6	ns
Output Hold Time	t _{CLQX}	0	-	-	ns
Data In Setup Time	t _{DVCH}	2	-	-	ns
Data In Hold Time	t _{CHDX}	2	-	-	ns
Clock Low To Output Valid	t _{CLQV}	-	-	7	ns
Write Protect Setup Time Before /CS Low	t _{WHSL}	20	-	-	ns
Write Protect Hold Time After /CS High	t _{SHWL}	100	-	-	ns
/CS High To Deep Power-Down Mode	t _{DP}	-	-	0.1	μs
/CS High To Standby Mode Without Electronic Signature Read	t _{RES1}	-	-	3	μs
/CS High To Standby Mode With Electronic Signature Read	t _{RES2}	-	-	1.5	μs



Parameter	Symbol	Min.	Typ.	Max.	Unit.
Write Status Register Cycle Time	t_w	-	10	15	ms
Page Programming Time	t_{pp}	-	0.7	2.4	ms
Sector Erase Time	t_{se}	-	100	300	ms
Block Erase Time(32k Bytes/64k Bytes)	t_{be}	-	0.3/0.5	0.6/1.0	s
Chip Erase Time	t_{ce}	-	3	7.5	s

NOTE1: Tested with clock frequency lower than 50MHz.

Figure 3. Serial Input Timing

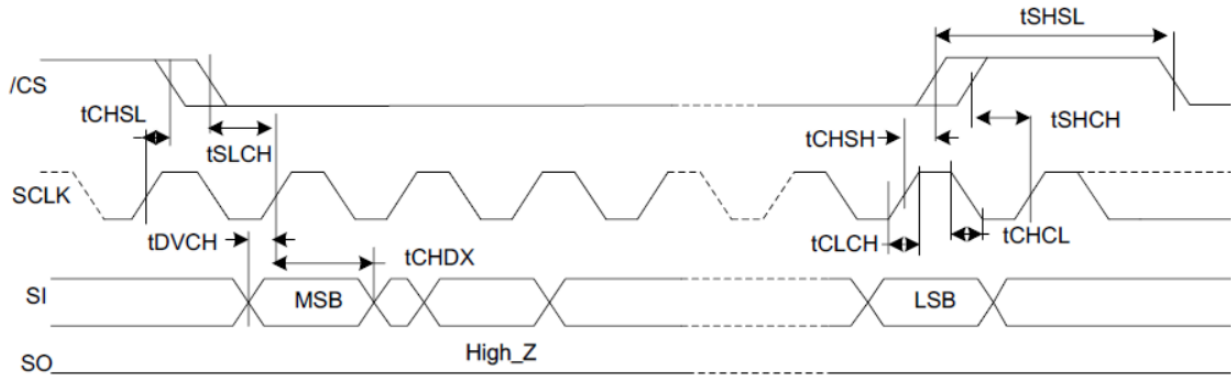
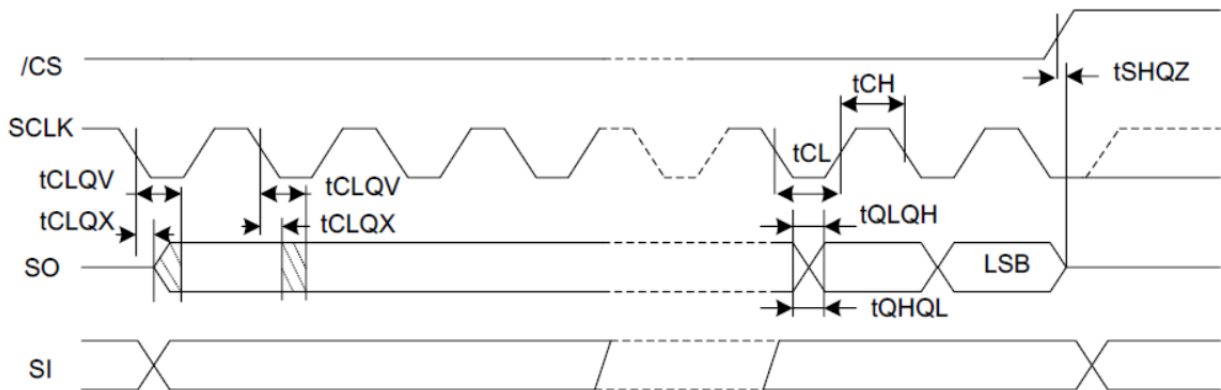


Figure 4. Output Timing





BLOCK/SECTOR ADDRESSES

Table 1. Block/Sector Addresses of A25D40

Memory Density	Block (64k byte)	Block (32k byte)	Sector No.	Sector Size (kB)	Address range
4Mbit	Block 0	Half block 0	Sector 0	4	000000h-000FFFh
			:	:	:
			Sector 7	4	007000h-007FFFh
		Half block 1	Sector 8	4	008000h-008FFFh
			:	:	:
			Sector 15	4	00F000h-00FFFFh
	Block 1	Half block 2	Sector 16	4	010000h-010FFFh
			:	:	:
		Sector 23	4	017000h-017FFFh	
		Half block 3	Sector 24	4	018000h-018FFFh
			:	:	:
	Sector 31	4	01F000h-01FFFFh		
	:	:	:	:	:
	Block 6	Half block 12	Sector 96	4	060000h-060FFFh
			:	:	:
		Sector 103	4	067000h-067FFFh	
		Half block 13	Sector 104	4	068000h-068FFFh
			:	:	:
	Sector 111	4	06F000h-06FFFFh		
	Block 7	Half block 14	Sector 112	4	070000h-070FFFh
			:	:	:
		Sector 119	4	077000h-077FFFh	
		Half block 15	Sector 120	4	078000h-078FFFh
			:	:	:
	Sector 127	4	07F000h-07FFFFh		

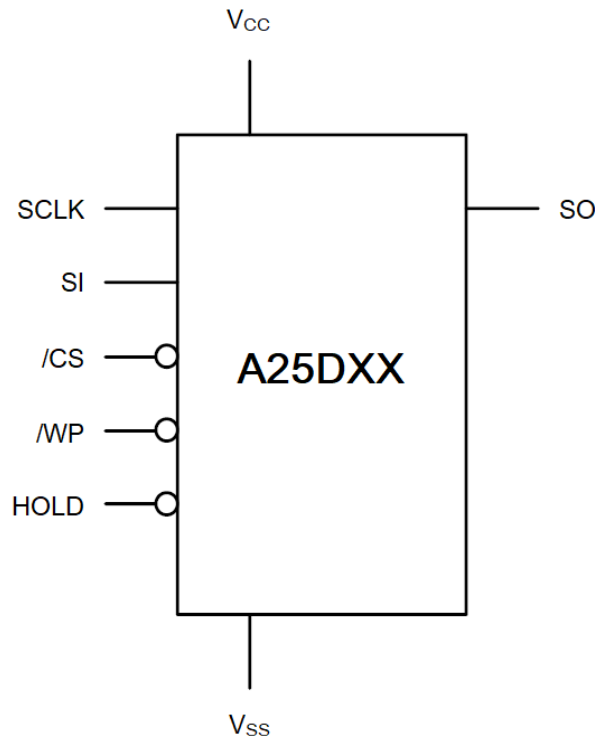
NOTE1: Block = Uniform Block, and the size is 64k bytes.

NOTE2: Half block = Half Uniform Block, and the size is 32k bytes.

NOTE3: Sector = Uniform Sector, and the size is 4k bytes.



LOGIC DIAGRAM



SPI OPERATION

Standard SPI Instructions

The A25D40 features a serial peripheral interface on 4 signals bus: Serial Clock (SCLK), Chip Select (/CS), Serial Data Input (SI) and Serial Data Output (SO). Both SPI bus mode 0 and 3 are supported. Input data is latched on the rising edge of SCLK and data shifts out on the falling edge of SCLK.

Dual SPI Instructions

The A25D40 supports Dual SPI operation when using the “Dual Output Fast Read” (3BH) instructions. These instructions allow data to be transferred to or from the device at two times the rate of the standard SPI. When using the Dual SPI instruction the SI and SO pins become bidirectional I/O pins: IO0 and IO1.



OPERATION FEATURES

1. Supply Voltage

Operating Supply Voltage

Prior to selecting the memory and issuing instructions to it, a valid and stable V_{CC} voltage within the specified $[V_{CC(min)}, V_{CC(max)}]$ range must be applied (see operating ranges of page 3). In order to secure a stable DC supply voltage, it is recommended to decouple the V_{CC} line with a suitable capacitor (usually of the order of 10nF to 100nF) close to the V_{CC}/V_{SS} package pins. This voltage must remain stable and valid until the end of the transmission of the instruction and, for a Write instruction, until the completion of the internal write cycle (t_w).

Power-up Conditions

When the power supply is turned on, V_{CC} rises continuously from V_{SS} to V_{CC} . During this time, the Chip Select ($/CS$) line is not allowed to float but should follow the V_{CC} voltage, it is therefore recommended to connect the $/CS$ line to V_{CC} via a suitable pull-up resistor.

In addition, the Chip Select ($/CS$) input offers a built-in safety feature, as the $/CS$ input is edge sensitive as well as level sensitive: after power-up, the device does not become selected until a falling edge has first been detected on Chip Select ($/CS$). This ensures that Chip Select ($/CS$) must have been high, prior to going Low to start the first operation.

Device Reset

In order to prevent inadvertent Write operations during power-up (continuous rise of V_{CC}), a power on reset (POR) circuit is included. At Power-up, the device does not respond to any instruction until V_{CC} has reached the power on reset threshold voltage (this threshold is lower than the minimum V_{CC} operating voltage defined in operating ranges of page 3).

When V_{CC} has passed the POR threshold, the device is reset.

Power-down

At Power-down (continuous decrease in V_{CC}), as soon as V_{CC} drops from the normal operating voltage to below the power on reset threshold voltage, the device stops responding to any instruction sent to it. During Power-down, the device must be deselected (Chip Select ($/CS$) should be allowed to follow the voltage applied on V_{CC}) and in Standby Power mode (that is there should be no internal Write cycle in progress).



2. Active Power and Standby Power Modes

When Chip Select (/CS) is Low, the device is selected, and in the Active Power mode. The device consumes I_{CC} .

When Chip Select (/CS) is High, the device is deselected. If a Write cycle is not currently in progress, the device then goes in to the Standby Power mode, and the device consumption drops to I_{CC1} .

3. Status Register

Table 2. Status Register

S7	S6	S5	S4	S3	S2	S1	S0
SRP	Reserved	Reserved	BP2	BP1	BP0	WEL	WIP

The status and control bits of the Status Register are as follows:

WIP bit

The Write in Progress (WIP) bit indicates whether the memory is busy in program/erase/write status register progress. When WIP bit sets to 1, means the device is busy in program/erase/write status register progress, when WIP bit sets 0, means the device is not in program/erase/write status register progress.

WEL bit

The Write Enable Latch bit indicates the status of the internal Write Enable Latch. When set to 1 the internal Write Enable Latch is set, when set to 0 the internal Write Enable Latch is reset and no Write Status Register, Program or Erase instruction is accepted.

BP2, BP1, BP0 bits

The Block Protect (BP2, BP1, BP0) bits are non-volatile. They define the size of the area to be software protected against Program and Erase instructions. These bits are written with the Write Status Register instruction. When the Block Protect (BP2, BP1, BP0) bits are set to 1, the relevant memory area. Becomes protected against Page Program, Sector Erase and Block Erase instructions. The Block Protect (BP2, BP1, BP0) bits can be written provided that the Hardware Protected mode has not been set.

SRP bits

The Status Register Protect (SRP) bit operates in conjunction with the Write Protect (WP#) signal. The Status Register Write Protect (SRP) bit and Write Protect (WP#) signal set the device to the Hardware Protected mode. When the Status Register Protect (SRP) bit is set to 1, and Write Protect (WP#) is driven Low. In this mode, the non-volatile bits of the Status Register (SRP, BP2, BP1, BP0) become read-only bits and the Write Status Register (WRSR) instruction is not execution. The default value of SRP is 0.



Write Protect Features

1. Software Protection: The Block Protect (BP2, BP1, BP0) bits define the section of the memory array that can be read but not change.
2. Hardware Protection: /WP going low to protected the BP0~BP2 bits and SRP bits.
3. Deep Power-Down: In Deep Power-Down Mode, all instructions are ignored except the Release from deep Power-Down Mode instruction.
4. Write Enable: The Write Enable Latch (WEL) bit must be set prior to every Page Program, Sector Erase, Block Erase, Chip Erase, Write Status Register and Erase/Program Security Registers instruction.

4. Status Register Memory Protection

Protect Table

Table 3. A25D40 Status Register Memory Protection

Status Register Content			Memory Content			
BP2	BP1	BP0	Blocks	Addresses	Density	Portion
0	0	0	NONE	NONE	NONE	NONE
0	0	1	Sector 0 to 125	000000H-07DFFFH	504kB	Lower 126/128
0	1	0	Sector 0 to 123	000000H-07BFFFH	496kB	Lower 124/128
0	1	1	Sector 0 to 119	000000H-077FFFH	480kB	Lower 120/128
1	0	0	Sector 0 to 111	000000H-06FFFFH	448kB	Lower 112/128
1	0	1	Sector 0 to 95	000000H-05FFFFH	384kB	Lower 96/128
1	1	0	Sector 0 to 63	000000H-03FFFFH	256kB	Lower 64/128
1	1	1	ALL	000000H-07FFFFH	512kB	ALL



DEVICE IDENTIFICATION

Three legacy Instructions are supported to access device identification that can indicate the manufacturer, device type, and capacity (density). The returned data bytes provide the information as shown in the below table.

A25D40 ID Definition table

Operation Code	M7-M0	ID15-ID8	ID7-ID0
9FH	68	40	13
90H	68		12
ABH			12

INSTRUCTIONS DESCRIPTION

All instructions, addresses and data are shifted in and out of the device, beginning with the most significant bit on the first rising edge of SCLK after /CS is driven low. Then, the one byte instruction code must be shifted in to the device, most significant bit first on SI, each bit being latched on the rising edges of SCLK.

See Table 4, every instruction sequence starts with a one-byte instruction code. Depending on the instruction, this might be followed by address bytes, or by data bytes, or by both or none. /CS must be driven high after the last bit of the instruction sequence has been shifted in. For the instruction of Read, Fast Read, Read Status Register or Release from Deep Power Down, and Read Device ID, the shifted-in instruction sequence is followed by a data out sequence. /CS can be driven high after any bit of the data-out sequence is being shifted out.

For the instruction of Page Program, Sector Erase, Block Erase, Chip Erase, Write Status Register, Write Enable, Write Disable or Deep Power-Down instruction, /CS must be driven high exactly at a byte boundary, otherwise the instruction is rejected, and is not executed. That is /CS must drive high when the number of clock pulses after /CS being driven low is an exact multiple of eight. For Page Program, if at any time the input byte is not a full byte, nothing will happen and WEL will not be reset.



Table 4. Instruction Set Table

Instruction Name	Byte 1	Byte 2	Byte 3	Byte 4	Byte 5	Byte 6
Write Enable	06H					
Write Disable	04H					
Read Status Register	05H	(S7-S0)				
Write Status Register	01H	(S7-S0)				
Read Data	03H	A23-A16	A15-A8	A7-A0	(D7-D0)	Next byte
Fast Read	0BH	A23-A16	A15-A8	A7-A0	dummy	(D7-D0)
Dual Output Fast Read	3BH	A23-A16	A15-A8	A7-A0	dummy	(D7-D0) ^{NOTE1}
Page Program	02H	A23-A16	A15-A8	A7-A0	(D7-D0)	Next byte
Sector Erase	20H	A23-A16	A15-A8	A7-A0		
Block Erase(32k)	52H	A23-A16	A15-A8	A7-A0		
Block Erase(64k)	D8H	A23-A16	A15-A8	A7-A0		
Chip Erase	C7/60H					
Deep Power-Down	B9H					
Release From Deep Power-Down, And Read Device ID	ABH	dummy	dummy	dummy	(ID7-ID0)	
Release From Deep Power-Down	ABH					
Manufacturer/ Device ID	90H	dummy	dummy	00H	(M7-M0)	(ID7-ID0)
JEDEC ID	9FH	(M7-M0)	(ID15-ID8)	(ID7-ID0)		

NOTE1: Dual Output data
IO0 = (D6, D4, D2, D0)
IO1 = (D7, D5, D3, D1)

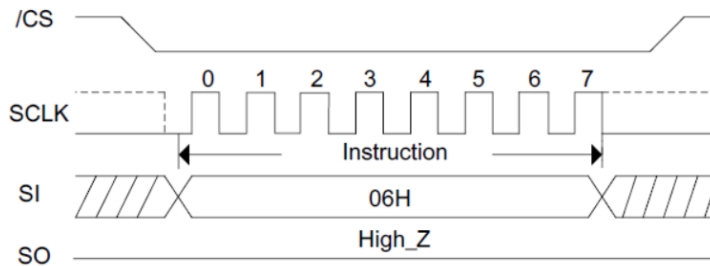


1. Configuration and Status Instructions

Write Enable (06H)

See Figure 5, the Write Enable instruction is for setting the Write Enable Latch bit. The Write Enable Latch bit must be set prior to every Page Program, Sector Erase, Block Erase, Chip Erase and Write Status Register instruction. The Write Enable instruction sequence: /CS goes low sending the Write Enable instruction /CS goes high.

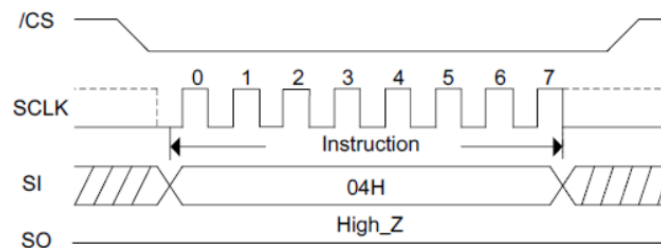
Figure 5. Write Enable Sequence Diagram



Write Disable (04H)

See Figure 6, the Write Disable instruction is for resetting the Write Enable Latch bit. The Write Disable instruction sequence: /CS goes low sending the Write Disable instruction /CS goes high. The WEL bit is reset by following condition: Power-up and upon completion of the Write Status Register, Page Program, Sector Erase, Block Erase and Chip Erase instructions.

Figure 6. Write Disable Sequence Diagram

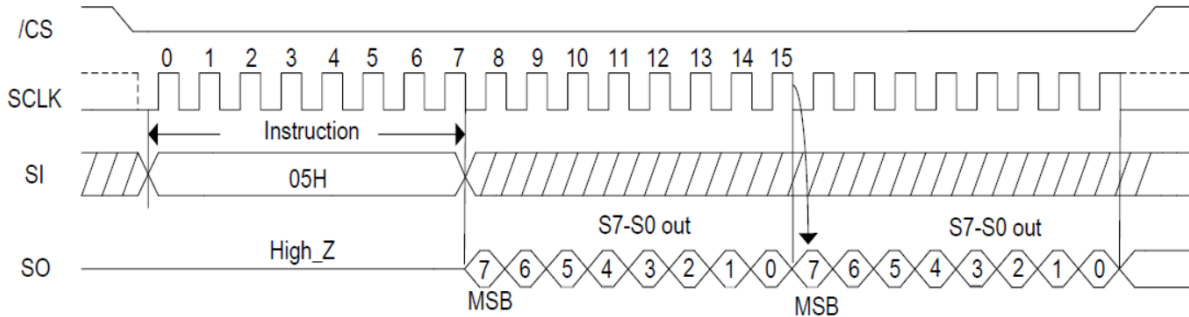


Read Status Register (05H)

See Figure 7, the Read Status Register (RDSR) instruction is for reading the Status Register. The Status Register may be read at any time, even while a Program, Erase or Write Status Register cycle is in progress. When one of these cycles is in progress, it is recommended to check the Write in Progress (WIP) bit before sending a new instruction to the device. It is also possible to read the Status Register continuously. For instruction code "05H", the SO will output Status Register bits S7~S0.



Figure 7. Read Status Register Sequence Diagram

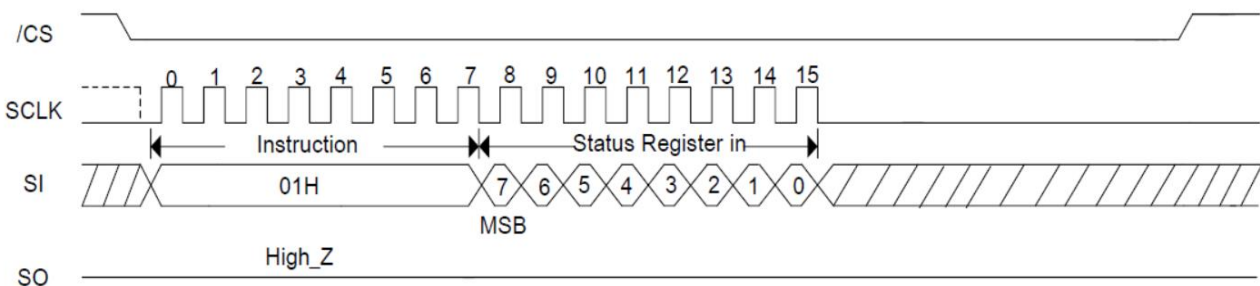


Write Status Register (01H)

See Figure 8, the Write Status Register instruction allows new values to be written to the Status Register. Before it can be accepted, a Write Enable instruction must previously have been executed. After the Write Enable instruction has been decoded and executed, the device sets the Write Enable Latch (WEL).

The Write Status Register instruction has no effect on S6, S5, S1 and S0 of the Status Register. S6 and S5 are always read as 0. /CS must be driven high after the eighth bit of the data byte has been latched in. If not, the Write Status Register instruction is not executed. As soon as Chip Select (CS#) is driven high, the self-timed Write Status Register cycle (the duration is t_w) is initiated. While the Write Status Register cycle is in progress, reading Status Register to check the Write In Progress (WIP) bit is achievable. The Write In Progress (WIP) bit is 1 during the self-timed Write Status Register cycle, and turn to 0 on the completion of the Write Status Register. When the cycle is completed, the Write Enable Latch (WEL) is reset to 0. The Write Status Register (WRSR) instruction allows the user to change the values of the Block Protect (BP2, BP1, BP0) bits, which are utilized to define the size of the read-only area. The Write Status Register (WRSR) instruction also allows the user to set or reset the Status Register Protect (SRP) bit in accordance with the Write Protect (WP#) signal, by setting which the device can enter into Hardware Protected Mode (HPM). The Write Status Register (WRSR) instruction is not executed once enter into the Hardware Protected Mode (HPM).

Figure 8. Write Status Register Sequence Diagram



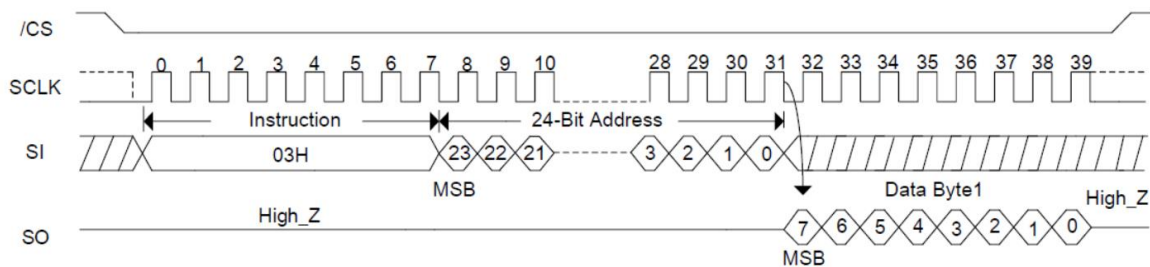


2. Read Instructions

Read Data (03H)

See Figure 9, the Read Data Bytes (READ) instruction is followed by a 3-byte address (A23-A0), each bit being latched-in during the rising edge of SCLK. Then the memory content, at that address, is shifted out on SO, each bit being shifted out, at a Max frequency f_R , during the falling edge of SCLK. The address is automatically incremented to the next higher address after each byte of data is shifted out allowing for a continuous stream of data. This means that the entire memory can be accessed with a single command as long as the clock continues. The command is completed by driving /CS high. The whole memory can be read with a single Read Data Bytes (READ) instruction. Any Read Data Bytes (READ) instruction, while an Erase, Program or Write cycle is in progress, is rejected without having any effects on the cycle that is in progress. Normal read mode running up to 50MHz.

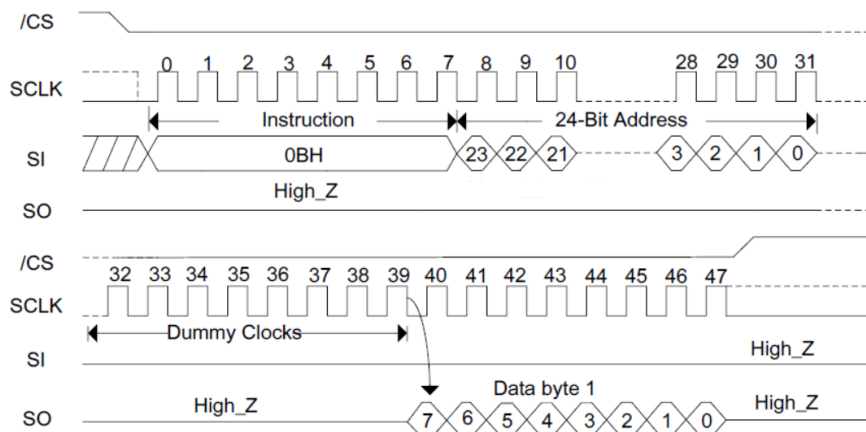
Figure 9. Read Data Bytes Sequence Diagram



Fast Read (0BH)

See Figure 10, the Read Data Bytes at Higher Speed (Fast Read) instruction is for quickly reading data out. It is followed by a 3-byte address (A23-A0) and a dummy byte, each bit being latched-in during the rising edge of SCLK. Then the memory content, at that address, is shifted out on SO, each bit being shifted out, at a Max frequency f_C , during the falling edge of SCLK. The first byte addressed can be at any location. The address is automatically incremented to the next higher address after each byte of data is shifted out.

Figure 10. Fast Read Sequence Diagram

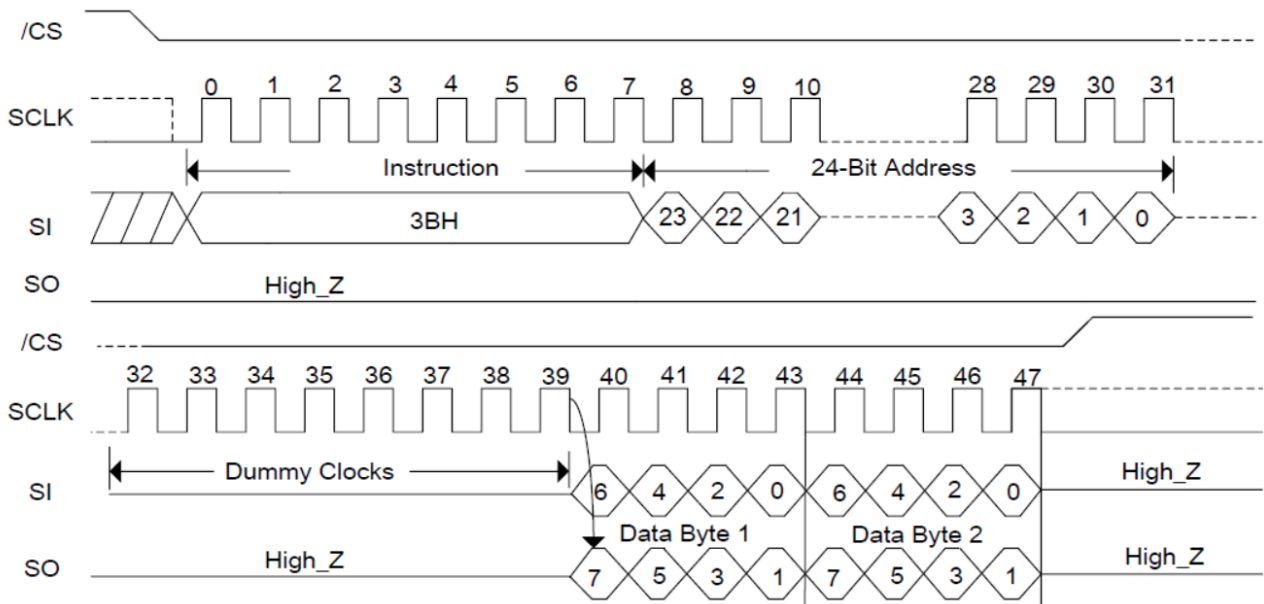




Dual Output Fast Read (3BH)

See Figure 11, the Dual Output Fast Read instruction is followed by 3-byte address (A23-A0) and a dummy byte, each bit being latched in during the rising edge of SCLK, then the memory contents are shifted out 2-bit per clock cycle from SI and SO. The first byte addressed can be at any location. The address is automatically incremented to the next higher address after each byte of data is shifted out.

Figure 11. Dual Output Fast Read Sequence Diagram





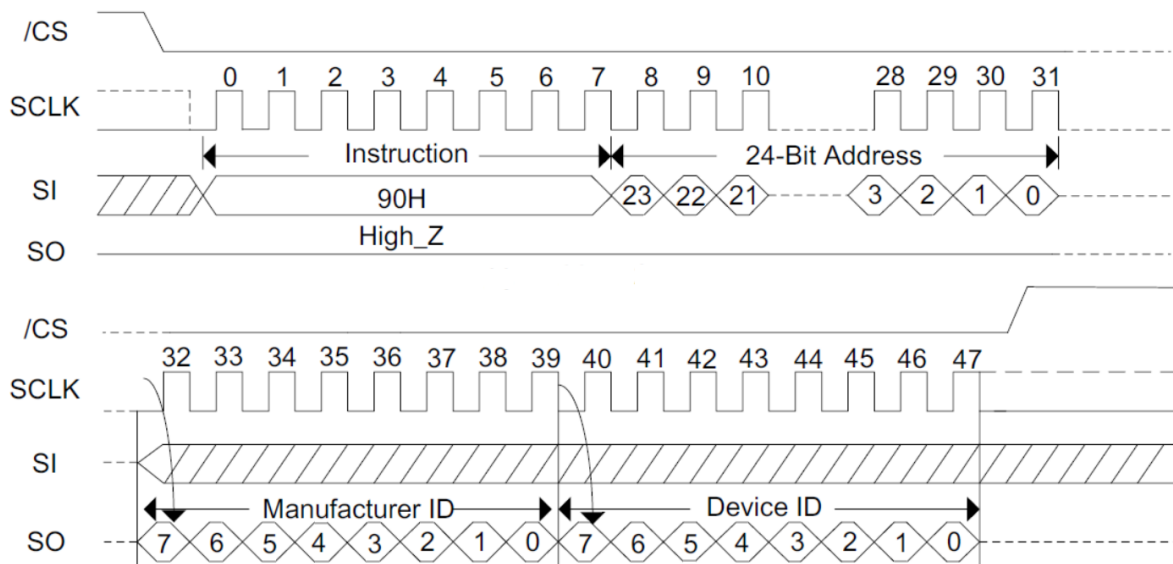
3. ID and Security Instructions

Read Manufacture ID/ Device ID (90H)

See Figure 12, the Read Manufacturer/Device ID instruction is an alternative to the Release from Power-Down/Device ID instruction that provides both the JEDEC assigned Manufacturer ID and the specific Device ID.

The instruction is initiated by driving the /CS pin low and shifting the instruction code “90H” followed by a 24-bit address (A23-A0) of 000000H. If the 24-bit address is initially set to 000001H, the Device ID will be read first.

Figure 12. Read Manufacture ID/ Device ID Sequence Diagram



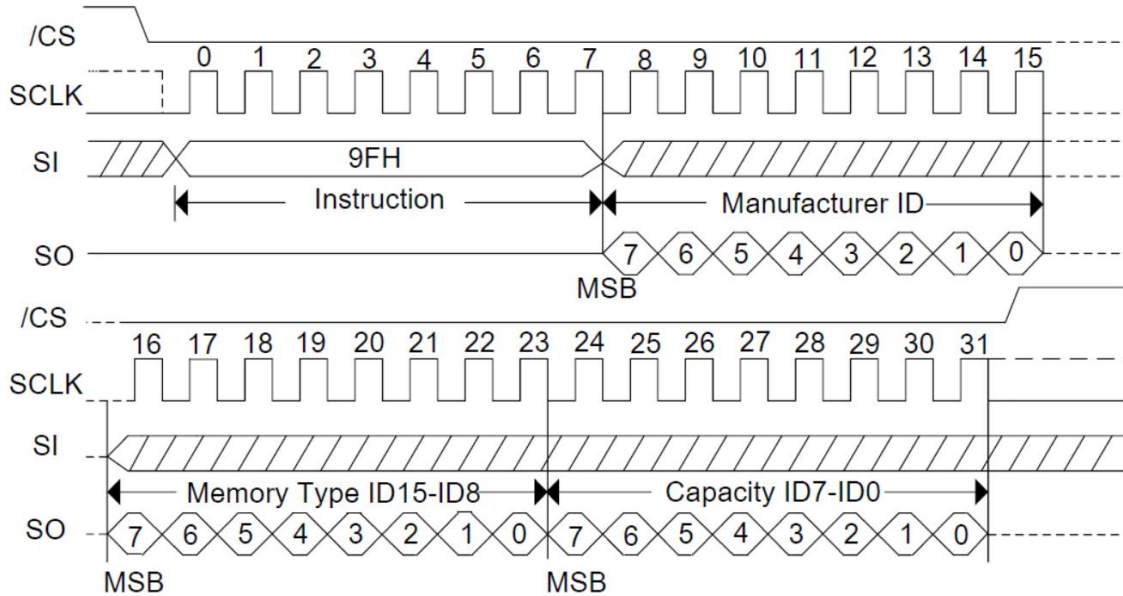
JEDEC ID (9FH)

The JEDEC ID instruction allows the 8-bit manufacturer identification to be read, followed by two bytes of device identification. The device identification indicates the memory type in the first byte, and the memory capacity of the device in the second byte. JEDEC ID instruction while an Erase or Program cycle is in progress, is not decoded, and has no effect on the cycle that is in progress. The JEDEC ID instruction should not be issued while the device is in Deep Power-Down Mode.

See Figure 13, the device is first selected by driving /CS to low. Then, the 8-bit instruction code for the instruction is shifted in. This is followed by the 24-bit device identification, stored in the memory, being shifted out on Serial Data Output, each bit being shifted out during the falling edge of Serial Clock. The JEDEC ID instruction is terminated by driving /CS to high at any time during data output. When /CS is driven high, the device is put in the Standby Mode. Once in the Standby Mode, the device waits to be selected, so that it can receive, decode and execute instructions.



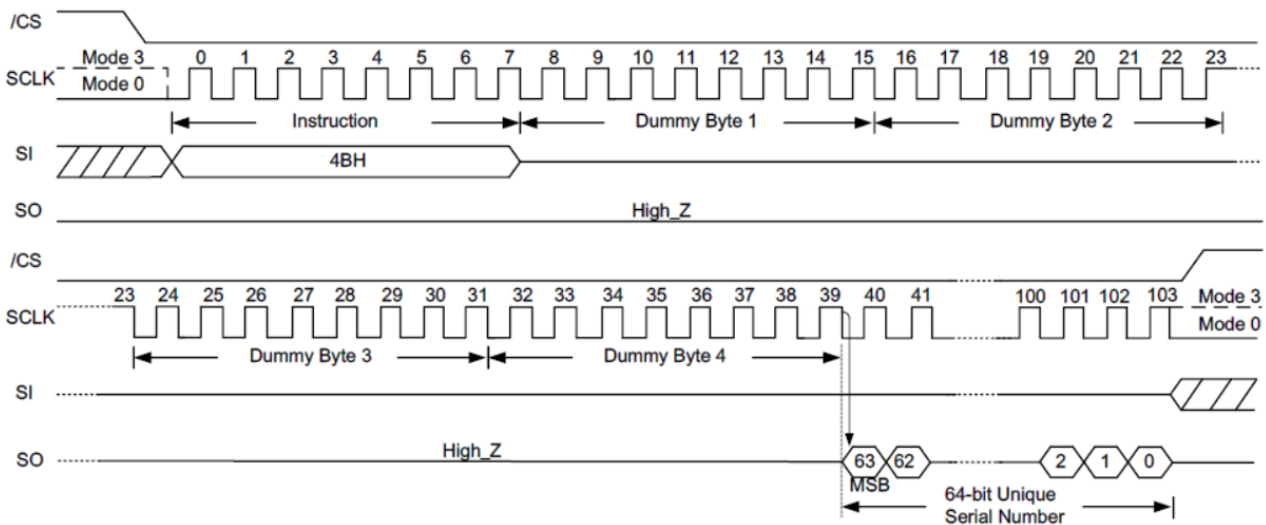
Figure 13. JEDEC ID Sequence Diagram



Read Unique ID Number (4Bh)

The Read Unique ID Number instruction accesses a factory-set read-only 64-bit number that is unique to each A25D40 device. The ID number can be used in conjunction with user software methods to help prevent copying or cloning of a system. The Read Unique ID instruction is initiated by driving the /CS pin low and shifting the instruction code “4Bh” followed by a four bytes of dummy clocks. After which, the 64-bit ID is shifted out on the falling edge of SCLK as shown in Figure 14.

Figure 14. Read Unique ID Number Instruction Sequence Diagram



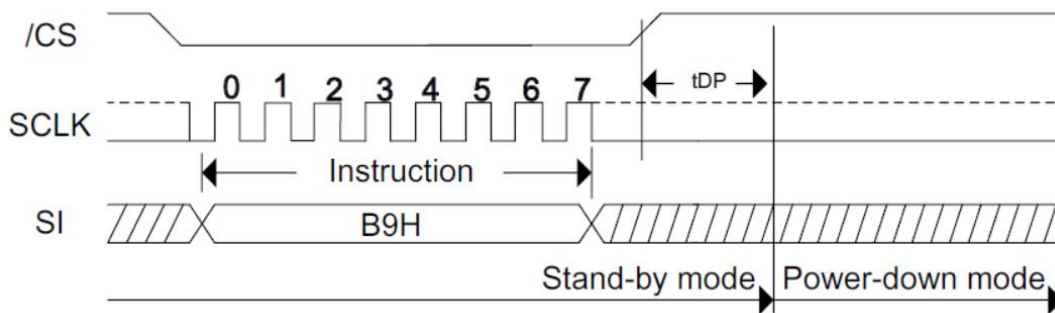


Deep Power-Down (B9H)

Although the standby current during normal operation is relatively low, standby current can be further reduced with the Deep Power-down instruction. The lower power consumption makes the Deep Power-down (DPD) instruction especially useful for battery powered applications (see I_{CC1} and I_{CC2}). The instruction is initiated by driving the /CS pin low and shifting the instruction code “B9h” as shown in Figure 15.

The /CS pin must be driven high after the eighth bit has been latched. If this is not done the Deep Power down instruction will not be executed. After /CS is driven high, the power-down state will entered within the time duration of t_{DP} . While in the power-down state only the Release from Deep Power-down / Device ID instruction, which restores the device to normal operation, will be recognized. All other Instructions are ignored. This includes the Read Status Register instruction, which is always available during normal operation. Ignoring all but one instruction also makes the Power Down state a useful condition for securing maximum write protection. The device always powers-up in the normal operation with the standby current of I_{CC1} .

Figure 15. Deep Power-Down Sequence Diagram



Release from Deep Power-Down/Read Device ID (ABH)

The Release from Power-Down or Device ID instruction is a multi-purpose instruction. It can be used to release the device from the Power-Down state or obtain the devices electronic identification (ID) number.

See Figure 16a, to release the device from the Power-Down state, the instruction is issued by driving the /CS pin low, shifting the instruction code “ABH” and driving /CS high. Release from Power-Down will take the time duration of t_{RES1} (See AC Characteristics) before the device will resume normal operation and other instruction are accepted. The /CS pin must remain high during the t_{RES1} time duration.

When used only to obtain the Device ID while not in the Power-Down state, the instruction is initiated by driving the /CS pin low and shifting the instruction code “ABH” followed by 3-dummy byte. The Device ID bits are then shifted out on the falling edge of SCLK with most significant bit (MSB) first as shown in Figure 16b. The Device ID value for the A25D40 is listed in Manufacturer and Device Identification table. The Device ID can be read continuously. The instruction is completed by driving /CS high.



When used to release the device from the Power-Down state and obtain the Device ID, the instruction is the same as previously described, and shown in Figure 16b, except that after /CS is driven high it must remain high for a time duration of t_{RES2} (See AC Characteristics). After this time duration the device will resume normal operation and other instruction will be accepted. If the Release from Power-Down/Device ID instruction is issued while an Erase, Program or Write cycle is in process (when WIP equal 1) the instruction is ignored and will not have any effects on the current cycle.

Figure 16a. Release Power-Down Sequence Diagram

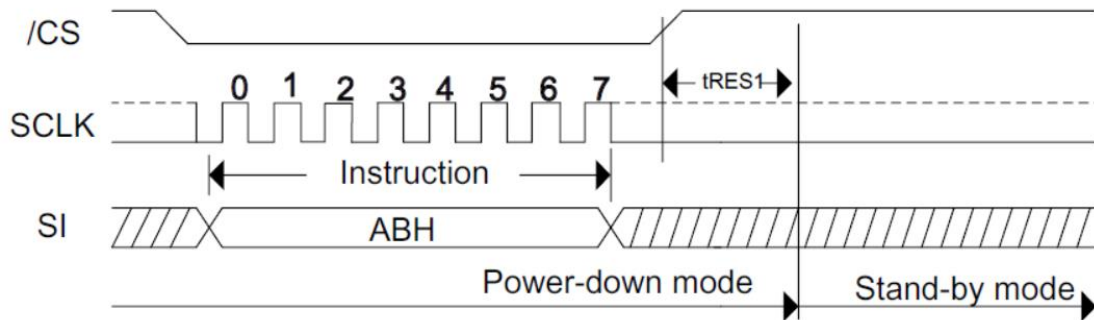
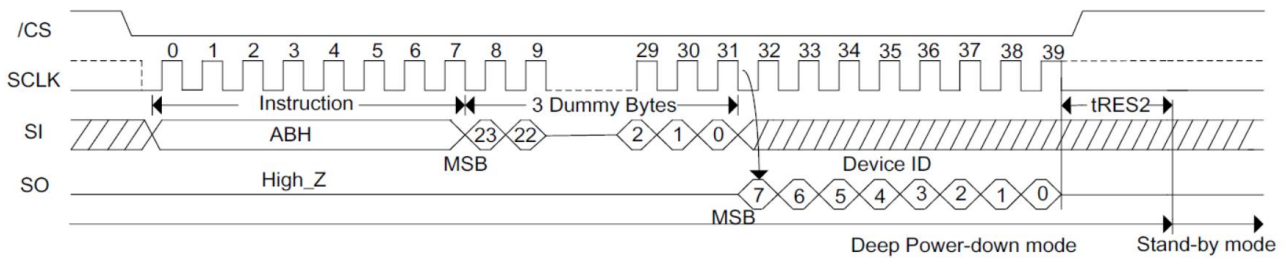


Figure 16b. Release Power-Down/Read Device ID Sequence Diagram





4. Program and Erase Instructions

Page Program (02H)

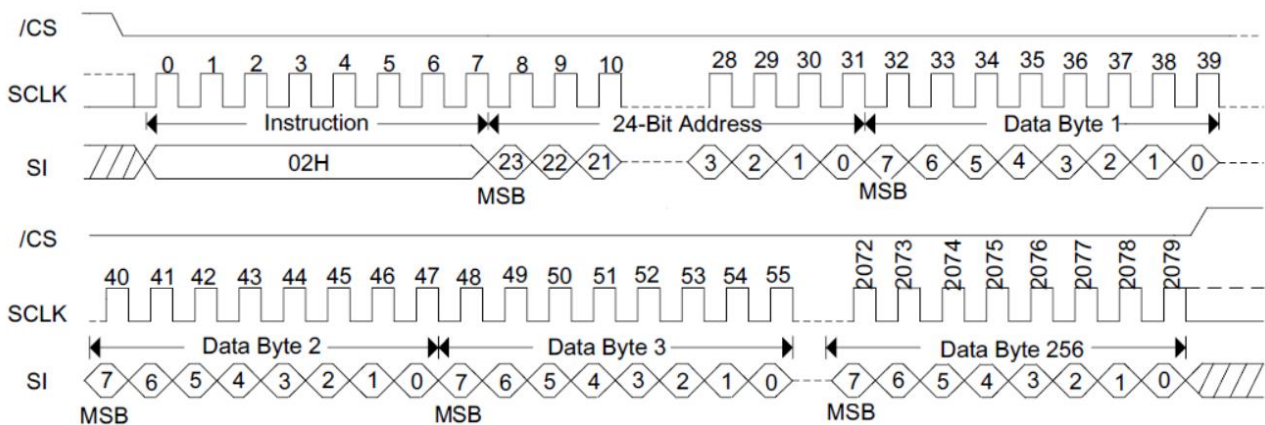
The Page Program instruction is for programming the memory. A Write Enable instruction must previously have been executed to set the Write Enable Latch bit before sending the Page Program instruction.

See Figure 17, the Page Program instruction is entered by driving /CS Low, followed by the instruction code, 3-byte address and at least one data byte on SI. If the 8 least significant address bits (A7-A0) are not all zero, all transmitted data that goes beyond the end of the current page are programmed from the start address of the same page (from the address whose 8 least significant bits (A7-A0) are all zero). /CS must be driven low for the entire duration of the sequence. The Page Program instruction sequence: /CS goes low sending Page Program instruction 3-byte address on SI at least 1 byte data on SI /CS goes high. If more than 256 bytes are sent to the device, previously latched data are discarded and the last 256 data bytes are guaranteed to be programmed correctly within the same page. If less than 256 data bytes are sent to device, they are correctly programmed at the requested addresses without having any effects on the other bytes of the same page. /CS must be driven high after the eighth bit of the last data byte has been latched in; otherwise the Page Program instruction is not executed.

As soon as /CS is driven high, the self-timed Page Program cycle (whose duration is t_{PP}) is initiated. While the Page Program cycle is in progress, the Status Register may be read to check the value of the Write in Progress (WIP) bit. The Write In Progress (WIP) bit is 1 during the self-timed Page Program cycle, and is 0 when it is completed. At some unspecified time before the cycle is completed, the Write Enable Latch bit is reset.

A Page Program instruction applied to a page which is protected by the Block Protect (BP2, BP1, BP0) bits is not executed.

Figure 17. Page Program Sequence Diagram



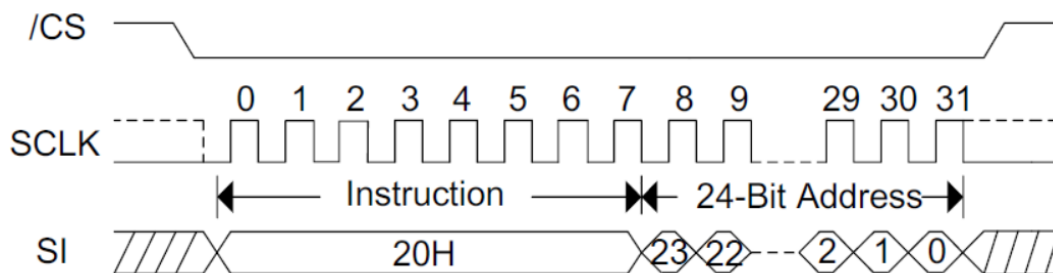


Sector Erase (20H)

The Sector Erase instruction is for erasing the all data of the chosen sector. A Write Enable instruction must previously have been executed to set the Write Enable Latch bit. The Sector Erase instruction is entered by driving /CS low, followed by the instruction code, and 3-address byte on SI. Any address inside the sector is a valid address for the Sector Erase instruction. /CS must be driven low for the entire duration of the sequence.

See Figure 18, The Sector Erase instruction sequence: /CS goes low sending 4kB Sector Erase instruction 3-byte address on SI /CS goes high. /CS must be driven high after the eighth bit of the last address byte has been latched in; otherwise the Sector Erase instruction is not executed. As soon as /CS is driven high, the self-timed Sector Erase cycle (whose duration is t_{SE}) is initiated. While the Sector Erase cycle is in progress, the Status Register may be read to check the value of the Write In Progress (WIP) bit. The Write In Progress (WIP) bit is 1 during the self-timed Sector Erase cycle, and is 0 when it is completed. At some unspecified time before the cycle is completed, the Write Enable Latch bit is reset. A Sector Erase instruction applied to a sector which is protected by the Block Protect (BP2, BP1, BP0) bits is not executed.

Figure 18. Sector Erase Sequence Diagram



32kB Block Erase (52H)

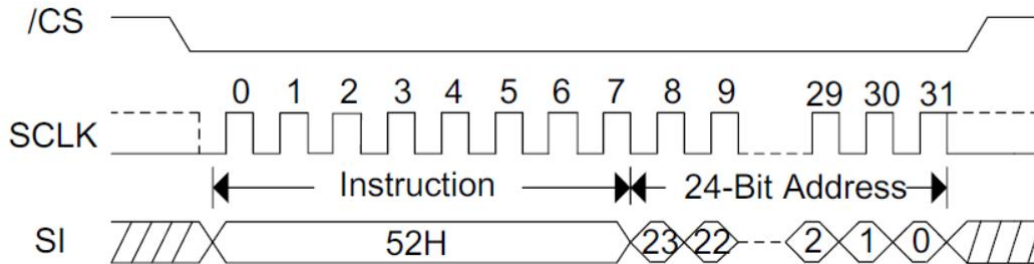
The 32kB Block Erase instruction is for erasing the all data of the chosen block. A Write Enable instruction must previously have been executed to set the Write Enable Latch bit. The 32kB Block Erase instruction is entered by driving /CS low, followed by the instruction code, and 3-byte address on SI. Any address inside the block is a valid address for the 32kB Block Erase instruction. /CS must be driven low for the entire duration of the sequence.

See Figure 19, the 32kB Block Erase instruction sequence: /CS goes low sending 32kB Block Erase instruction 3-byte address on SI /CS goes high. /CS must be driven high after the eighth bit of the last address byte has been latched in; otherwise the 32kB Block Erase instruction is not executed. As soon as /CS is driven high, the self-timed Block Erase cycle (whose duration is t_{BE}) is initiated. While the Block Erase cycle is in progress, the Status Register may be read to check the value of the Write In Progress (WIP) bit. The Write In Progress (WIP) bit is 1 during the self-timed Block Erase cycle, and is 0 when it is completed. At some



unspecified time before the cycle is completed, the Write Enable Latch bit is reset. A 32kB Block Erase instruction applied to a block which is protected by the Block Protect (BP2, BP1, BP0) bits is not executed.

Figure 19. 32kB Block Erase Sequence Diagram

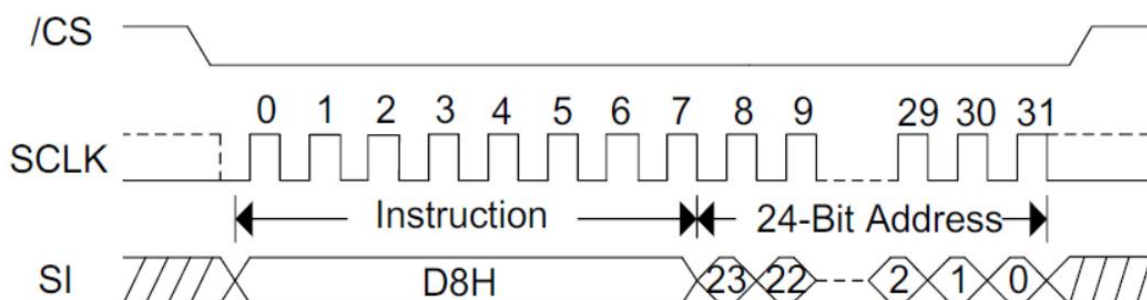


64kB Block Erase (D8H)

The 64kB Block Erase instruction is for erasing the all data of the chosen block. A Write Enable instruction must previously have been executed to set the Write Enable Latch bit. The 64kB Block Erase instruction is entered by driving /CS low, followed by the instruction code, and 3-byte address on SI. Any address inside the block is a valid address for the 64kB Block Erase instruction. /CS must be driven low for the entire duration of the sequence.

See Figure 20, the 64kB Block Erase instruction sequence: /CS goes low sending 64KB Block Erase instruction 3-byte address on SI /CS goes high. /CS must be driven high after the eighth bit of the last address byte has been latched in; otherwise the 64kB Block Erase instruction is not executed. As soon as /CS is driven high, the self-timed Block Erase cycle (whose duration is t_{BE}) is initiated. While the Block Erase cycle is in progress, the Status Register may be read to check the value of the Write In Progress (WIP) bit. The Write In Progress (WIP) bit is 1 during the self-timed Block Erase cycle, and is 0 when it is completed. At some unspecified time before the cycle is completed, the Write Enable Latch bit is reset. A 64kB Block Erase instruction applied to a block which is protected by the Block Protect (BP2, BP1, BP0) bits is not executed.

Figure 20. 64kB Block Erase Sequence Diagram





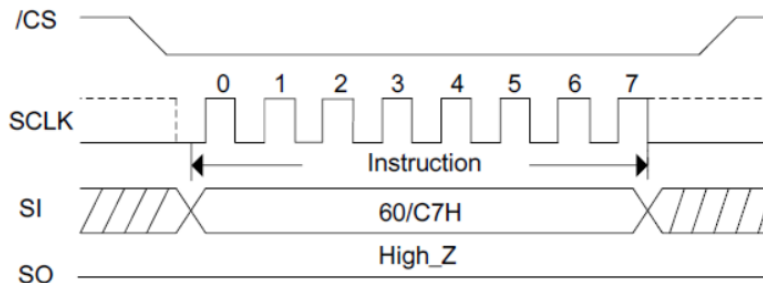
Chip Erase (60/C7H)

The Chip Erase instruction sets all memory within the device to the erased state of all 1s (FFh). A Write Enable instruction must be executed before the device will accept the Chip Erase Instruction (Status Register bit WEL must equal 1). The instruction is initiated by driving the /CS pin low and shifting the instruction code “C7h” or “60h”. The Chip Erase instruction sequence is shown in Figure 21.

The /CS pin must be driven high after the eighth bit has been latched. If this is not done the Chip Erase instruction will not be executed. After /CS is driven high, the self-timed Chip Erase instruction will commence for a time duration of t_{CE} . While the Chip Erase cycle is in progress, the Read Status Register instruction may still be accessed to check the status of the WIP bit.

The WIP bit is a 1 during the Chip Erase cycle and becomes a 0 when finished and the device is ready to accept other Instructions again. After the Chip Erase cycle has finished the Write Enable Latch (WEL) bit in the Status Register is cleared to 0. The Chip Erase instruction will not be executed if any page is protected by the Block Protect (BP2, BP1, and BP0) bits.

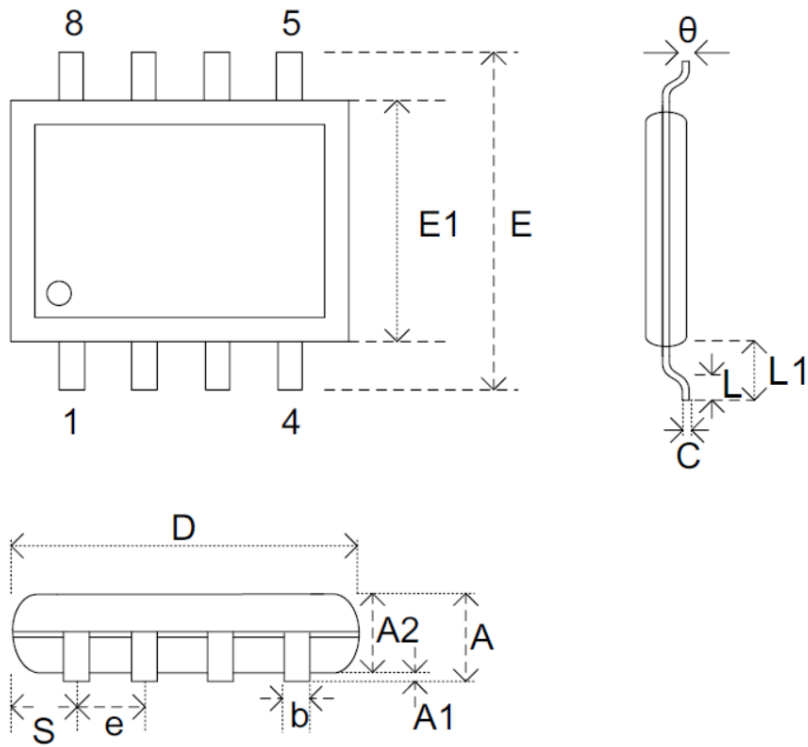
Figure 21. Chip Erase Sequence Diagram





PACKAGE INFORMATION

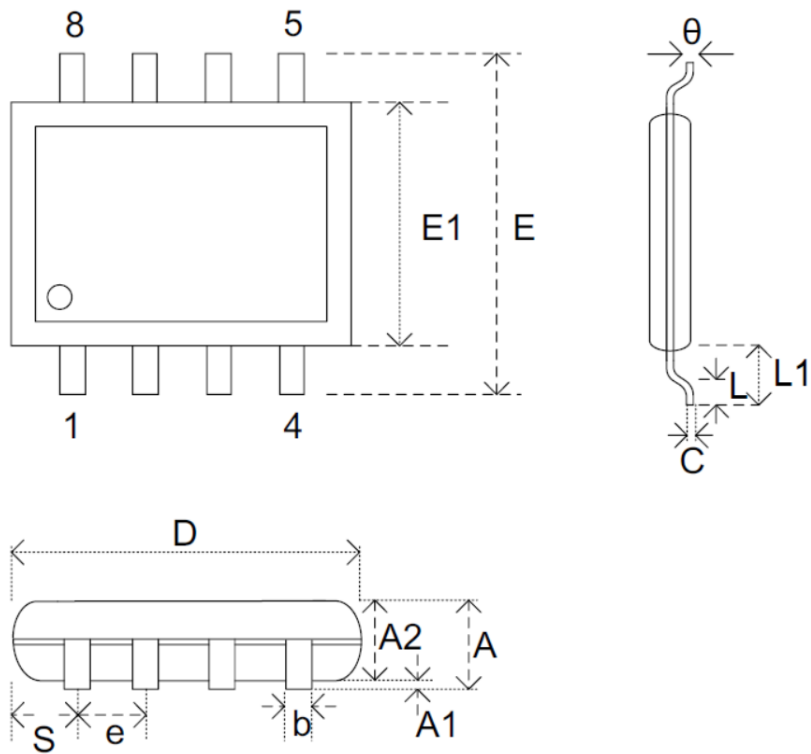
Dimension in SOP8 150-mil (Unit: mm)



Symbol	Min	Max
A	-	1.75
A1	0.10	0.225
A2	1.30	1.50
b	0.39	0.47
C	0.20	0.24
D	4.80	5.00
E	5.80	6.20
E1	3.80	4.00
e	1.27 BSC	
L	0.50	0.80
L1	1.05 BSC	
S	0.41	0.67
θ	0°	8°



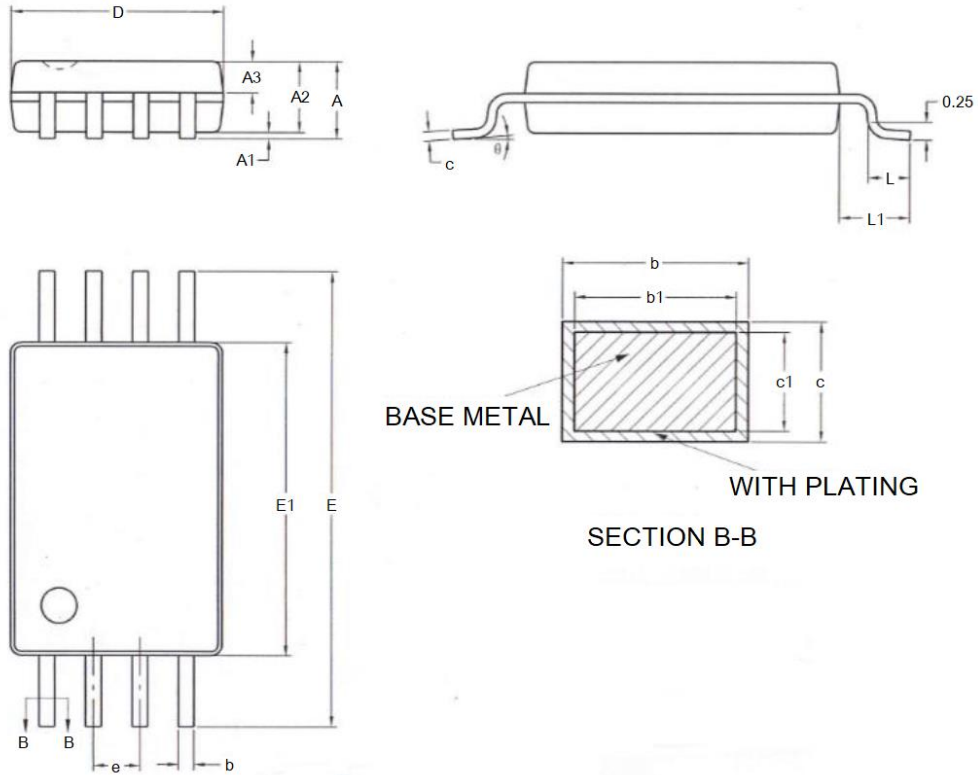
Dimension in SOP8 208-mil (Unit: mm)



Symbol	Min	Max
A	-	1.95
A1	0.10	0.18
A2	1.75	1.90
b	0.42	0.48
C	0.20	0.24
D	5.00	5.25
E	7.85	7.98
E1	5.16	5.26
e	1.27 BSC	
L	0.60	0.70
L1	1.31	1.41
S	0.62	0.88
θ	0°	8°



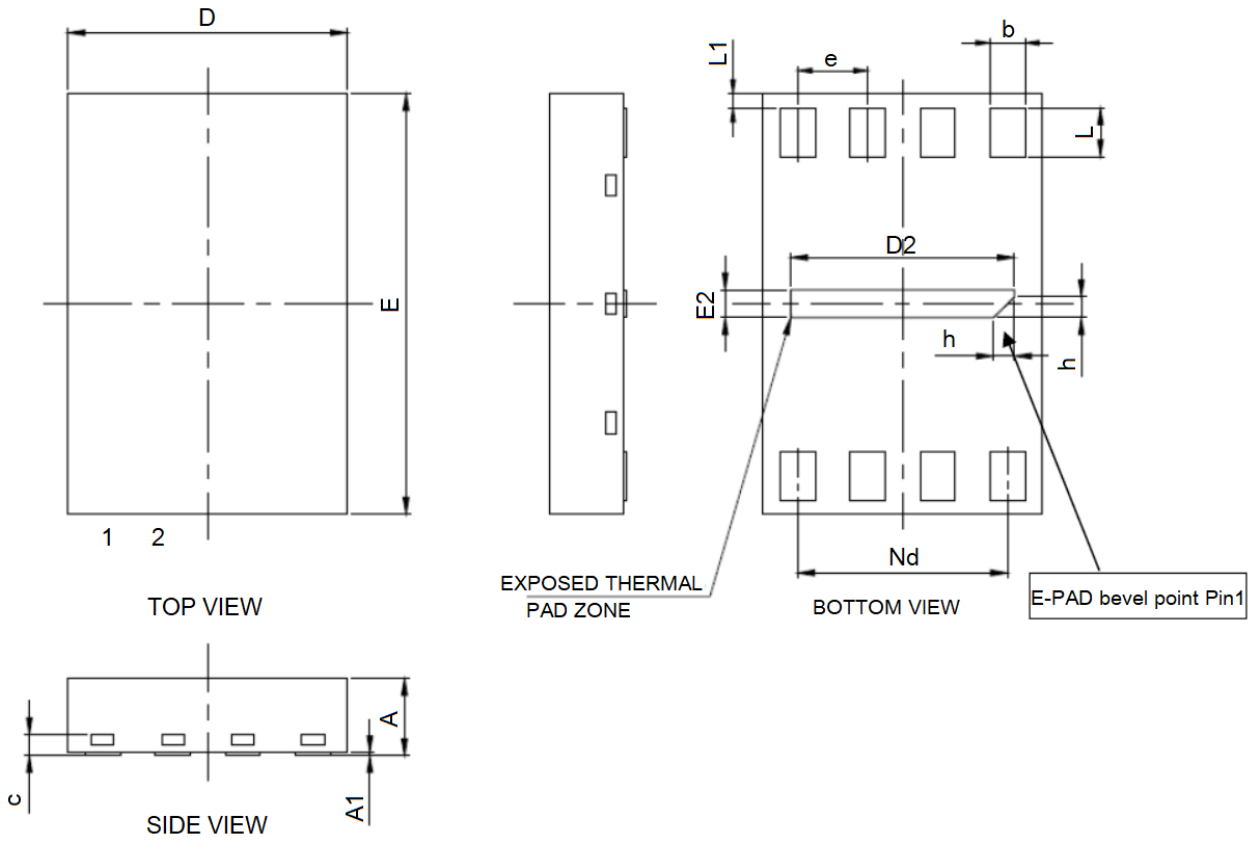
Dimension in TSSOP8 173-mil (Unit: mm)



Symbol	Min	Max
A	-	1.20
A1	0.05	0.15
A2	0.90	1.05
A3	0.39	0.49
b	0.20	0.28
b1	0.19	0.25
c	0.13	0.17
c1	0.12	0.14
D	2.90	3.10
E	6.20	6.60
E1	4.30	4.50
e	0.65 BSC	
L	0.45	0.75
L1	1.00 BSC	
θ	0°	8°



Dimension in DFN8(2x3mm) (Unit: mm)



Symbol	Min	Max
A	0.45	0.55
A1	0.00	0.05
b	0.20	0.30
c	0.10	0.20
D	1.90	2.10
D2	1.50	1.70
e	0.50 BSC	
Nd	1.50 BSC	
E	2.90	3.10
E2	0.10	0.30
L	0.30	0.40
L1	0.05	0.15
h	0.05	0.25



IMPORTANT NOTICE

AiT Semiconductor Inc. (AiT) reserves the right to make changes to any its product, specifications, to discontinue any integrated circuit product or service without notice, and advises its customers to obtain the latest version of relevant information to verify, before placing orders, that the information being relied on is current.

AiT Semiconductor Inc.'s integrated circuit products are not designed, intended, authorized, or warranted to be suitable for use in life support applications, devices or systems or other critical applications. Use of AiT products in such applications is understood to be fully at the risk of the customer. As used herein may involve potential risks of death, personal injury, or severe property, or environmental damage. In order to minimize risks associated with the customer's applications, the customer should provide adequate design and operating safeguards.

AiT Semiconductor Inc. assumes to no liability to customer product design or application support. AiT warrants the performance of its products of the specifications applicable at the time of sale.