



DESCRIPTION

The A3085 is a 5V, high-speed transceivers for RS485 communication contain one driver and one receiver. The A3085 feature fail-safe circuitry, which guarantees a logic-high receiver output when the receiver input are open or shorted. This means that the receiver output will be a logic high if all transmitters on a terminated bus are disabled (high impedance).

The A3085 feature reduced slew-rate drivers that minimized EMI and reduce reflections caused by improperly terminated cables. The A3085 offer higher driver output slew-rate limits, allowing transmit speeds up to 500kbps. The A3085 have a 1/8-unit-load receiver input impedance that allows up to 256 transceivers on the bus. The A3085 is intended for half-duplex communications.

The A3085 is available in SOP8 package

ORDERING INFORMATION

Package Type	Part Number	
SOP8 SPQ: 2,500pcs/Reel	M8	A3085M8R
		A3085M8VR
Note	V: Halogen free Package R: Tape & Reel	
AiT provides all RoHS products		

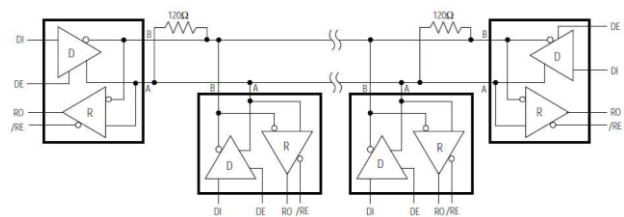
FEATURES

- +5V Operation
- Fail-Safe Circuit
- Maximum Data Rate:500kbps
- Allow Up to 256 Transceivers on the Bus
- I/O Pins ESD Protection:
±18kV IEC 61000-4-2 ,Contact Discharge
- Available in SOP8 package

APPLICATION

- Smart Meter
- DVR
- Transceivers for EMI-Sensitive Applications
- Industrial-Control Local Area Networks
- RS-485 Communications Level Translators

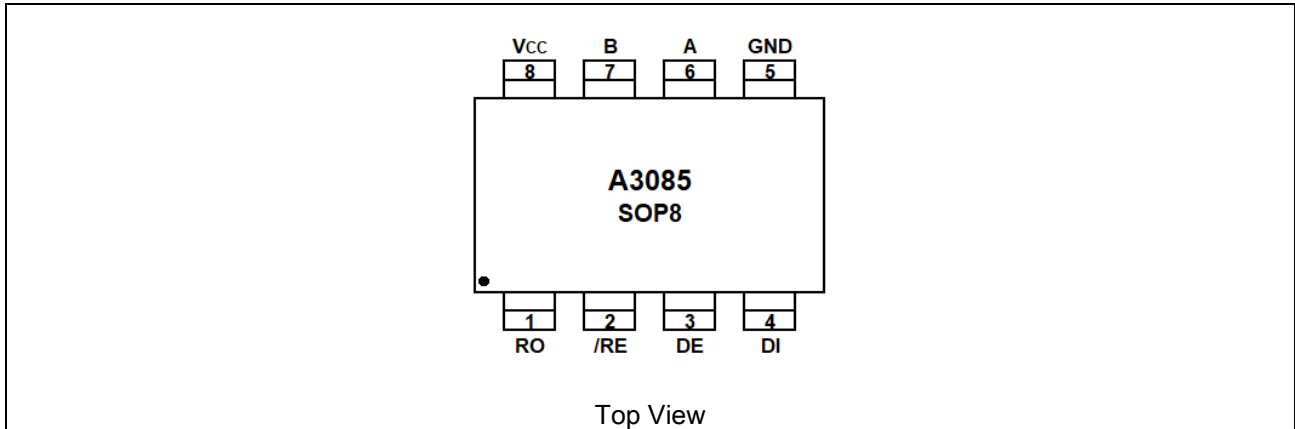
TYPICAL APPLICATION



Typical Half-Duplex RS-485 Network



PIN DESCRIPTION



Pin #	Symbol	Functions
1	RO	Receiver Output.
2	/RE	Receiver Output Enable. /RE is low to enable the Receiver; /RE is high to disable the Receiver.
3	DE	Driver Output Enable. DE is high to enable the Driver; DE is low to disable the Driver.
4	DI	Driver Input
5	GND	Ground.
6	A	Non-inverting Receiver Input and Non-inverting Driver Output.
7	B	Inverting Receiver Input and Inverting Driver Output.
8	V _{CC}	Power Supply.

FUNCTION TABLE

Transmitting					Receiving			
Inputs			Outputs		Inputs			Outputs
/RE	DE	DI	A	B	/RE	DE	A-B	RO
X	1	1	1	0	0	X	>-50mV	1
X	1	0	0	1	0	X	<-200mV	0
0	0	X	High-Z	High-Z	0	X	Open/Shorted	1
1	0	X	Shutdown (High-Z)		1	1	X	High-Z
1	0	X	Shutdown (High-Z)		1	0	X	Shutdown (High-Z)



ABSOLUTE MAXIMUM RATINGS

V _{CC} , Power Supply	+7V
/RE, DE, Control Input Voltage	-0.3V ~ V _{CC} +0.3V
DI, Transmitter Input Voltage	-0.3V ~ V _{CC} +0.3V
A, B, Transmitter Output Voltage	-8V ~ +13V
A, B, Receiver Input Voltage	-8V ~ +13V
RO, Receiver Output Voltage	-0.3V ~ V _{CC} +0.3V
Operating Temperature	-40°C ~ +85°C
Storage Temperature	-65°C ~ +150°C
Operating Junction Temperature	125°C

Stress beyond above listed "Absolute Maximum Ratings" may lead permanent damage to the device. These are stress ratings only and operations of the device at these or any other conditions beyond those indicated in the operational sections of the specifications are not implied. Exposure to absolute maximum rating conditions for extended periods may affect device reliability.



DC ELECTRICAL CHARACTERISTICS

$V_{CC}=+5V\pm 5\%$, $T_A=-40^{\circ}C \sim +85^{\circ}C$, Typical Values @ $V_{CC}=+5V$, $T_A=25^{\circ}C$ ^{NOTE1}

Parameter	Symbol	Conditions	Min.	Typ.	Max.	Unit	
Power Supply	V_{CC}		4.5	-	5.5	V	
Driver							
Differential Driver Output (no load)	V_{OD1}	Figure 1	-	-	5	V	
Differential Driver Output	V_{OD2}	Figure 1, R=27 Ω	1.5	-	-	V	
Change in Magnitude of Differential Output Voltage ^{NOTE2}	ΔV_{OD}	Figure 1, R=27 Ω	-	-	0.2	V	
Driver Common-mode Output Voltage	V_{OC}	Figure 1, R=27 Ω	1.0	-	3.0	V	
Change in Magnitude of Common-Mode Voltage ^{NOTE2}	ΔV_{OC}	Figure 1, R=27 Ω	-	-	0.2	V	
Input High Voltage	V_{IH}	DE, DI, /RE	2.0	-	-	V	
Input Low Voltage	V_{IL}	DE, DI, /RE	-	-	0.8	V	
DI Input Hysteresis	V_{HYS}		-	100	-	mV	
Input Current(A and B)	I_{IN4}	DE=GND, $V_{CC}=\text{GND or } 5.25V$	$V_{IN}=12V$	-	-	125	μA
			$V_{IN}=-7V$	-75-	-	-	
Driver Short-Circuit Output Current	I_{OSD}	A Pin Short to B Pin	-100	-	100	mA	
Receiver							
Receiver Differential Threshold Voltage	V_{TH}	$-7V \leq V_{CM} \leq 12V$	-200	-125	-50	mV	
Receiver Input Hysteresis	ΔV_{TH}		-	40	-	mV	
Receiver Output High Voltage	V_{OH}	$I_O=-8mA, V_{ID}=-50mV$	4.0	-	-	V	
Receiver Output Low Voltage	V_{OL}	$I_O=8mA, V_{ID}=-200mV$	-	-	0.4	V	
Three-State Output Current at Receiver	I_{OZR}		-	-	± 1	μA	
Receiver Input Resistance	R_{IN}	$-7V \leq V_{CM} \leq 12V$	96	-	-	k Ω	
Receiver Output Short-Circuit Current	I_{OSR}	$0V \leq V_{RO} \leq V_{CC}$	± 7	-	± 95	mA	
Supply Current							
Supply Current	I_{CC}	No load, /RE= DI=GND or V_{CC}	DE= V_{CC}	-	150	600	μA
			DE=GND	-	185	600	μA
Supply Current in Shutdown Mode	I_{SHDN}	DE=GND, /RE= V_{CC} , DI= V_{CC} or GND	-	-	10	μA	

NOTE1: All currents into the device are positive. All currents out of the device are negative. All voltages are referred to device ground unless otherwise noted.

NOTE2: ΔV_{OD} and ΔV_{OC} are the changes in V_{OD} and V_{OC} , respectively, when the DI input changes state.



SWITCHING CHARACTERISTICS

$V_{CC}=+5V\pm 5\%$, $T_A=-40^{\circ}C \sim +85^{\circ}C$, Typical values @ $V_{CC}=+5V$, $T_A = 25^{\circ}C$

Parameter	Symbol	Conditions	Min.	Typ.	Max.	Unit
Driver Input to Output	t_{DPLH}	Figure 3 and 5, $R_{DIFF}=54\Omega$	-	450	800	ns
	t_{DPHL}	$C_{L1}=C_{L2}=100pF$	-	450	800	
Driver Output Skew $ T_{DPLH} - T_{DPHL} $	t_{DSKEW}	Figure 3 and 5, $R_{DIFF}=54\Omega$ $C_{L1}=C_{L2}=100pF$	-	-	100	ns
Driver Rise or Fall Time	t_{DR}, t_{DF}	Figure 3 and 5, $R_{DIFF}=54\Omega$ $C_{L1}=C_{L2}=100pF$	-	150	500	ns
Maximum Data Rate	F_{MAX}		500	-	-	kbps
Driver Enable to Output High	t_{DZH}	Figure 4 and 6, $C_L=100pF$ S2 Closed	-	-	200	ns
Driver Enable to Output Low	t_{DZL}	Figure 4 and 6, $C_L=100pF$ S1 Closed	-	-	200	ns
Driver Disable Time from Low	t_{DLZ}	Figure 4 and 6, $C_L=15pF$ S1 Closed	-	-	300	ns
Driver Disable Time from High	t_{DHZ}	Figure 4 and 6, $C_L=15pF$ S2 Closed	-	-	300	ns
Receiver Input to Output	t_{RPLH} t_{RPHL}	Figure 7 and 9, $ V_{ID} \geq 2.0V$; rise and fall time of $V_{ID} \leq 15ns$	-	450	800	ns
$ T_{RPLH} - T_{RPHL} $ Differential Receiver Skew	t_{RSKD}	Figure 7 and 9, $ V_{ID} \geq 2.0V$; rise and fall time of $V_{ID} \leq 15ns$	-	30	-	ns
Receiver Enable to Output Low	t_{RZL}	Figure 2 and 8, $C_{RL}=15pF$ S1 Closed	-	20	50	ns
Receiver Enable to Output High	t_{RZH}	Figure 2 and 8, $C_{RL}=15pF$ S2 Closed	-	20	50	ns
Receiver Disable Time from Low	t_{RLZ}	Figure 2 and 8, $C_{RL}=15pF$ S1 Closed	-	80	150	ns
Receiver Disable Time from High	t_{RHZ}	Figure 2 and 8, $C_{RL}=15pF$ S2 Closed	-	80	150	ns
Time to Shutdown	t_{SHDN}		-	50	300	ns
Driver Enable from Shutdown to Output High	$t_{DZH(SHDN)}$	Figure 4 and 6, $C_L=100pF$ S2 Closed	-	-	200	ns
Driver Enable from Shutdown to Output Low	$t_{DZL(SHDN)}$	Figure 4 and 6, $C_L=100pF$ S1 Closed	-	-	200	ns
Receiver Enable from Shutdown to Output High	$t_{RZH(SHDN)}$	Figure 2 and 8, $C_{RL}=15pF$ S2 Closed	-	-	300	ns
Receiver Enable from Shutdown to Output Low	$t_{RZL(SHDN)}$	Figure 2 and 8, $C_{RL}=15pF$ S1 Closed	-	-	300	ns



TEST CIRCUITS AND TIMING DIAGRAMS

Figure 1 : Driver DC Test Load

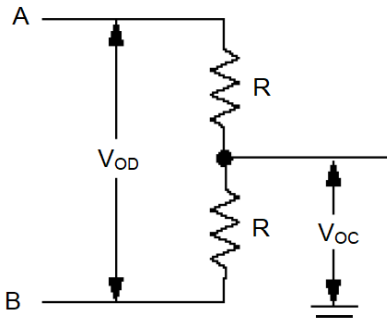


Figure 3 : Driver Timing Test Circuit

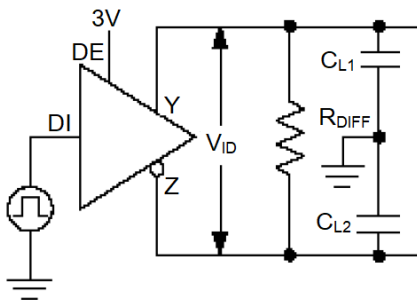


Figure 5 : Driver Propagation Delays

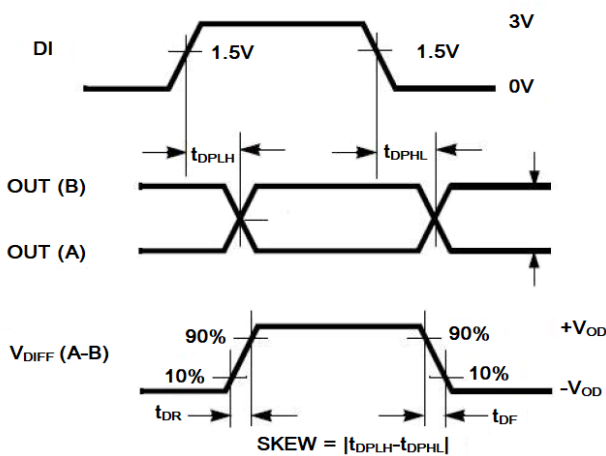


Figure 2 : Receiver Enable/Disable Timing Test Load

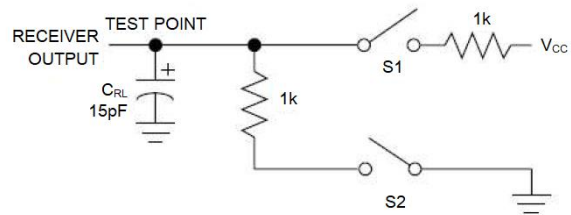


Figure 4 : Driver Enable/Disable Timing test Load

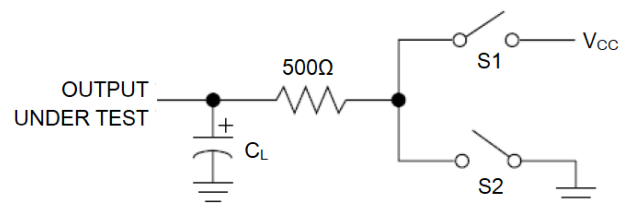


Figure 6 : Driver Enable and Disable Times

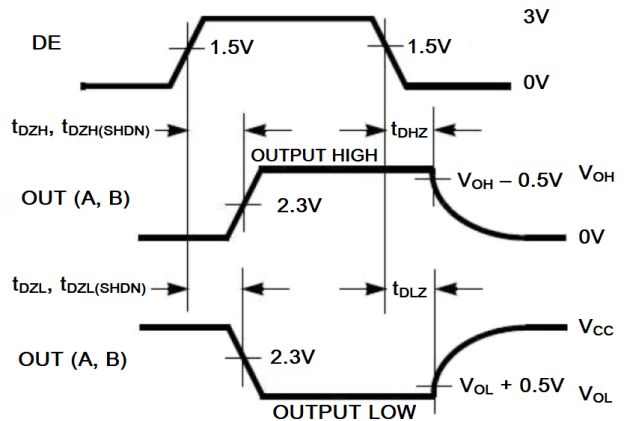




Figure 7 : Receiver Propagation Delays

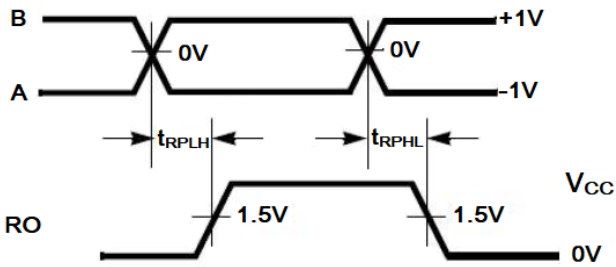


Figure 8 : Receiver Enable and Disable Times

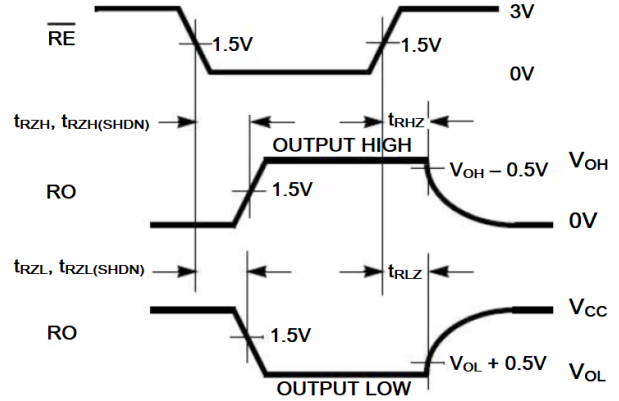
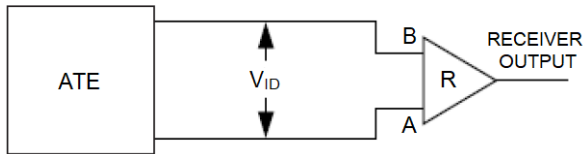
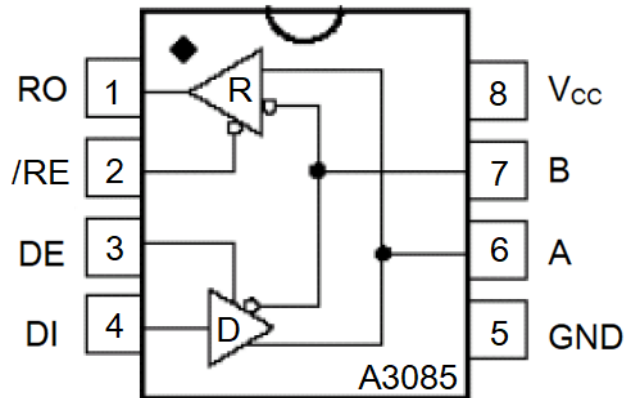


Figure 9 : Receiver Propagation Delay Test Circuit



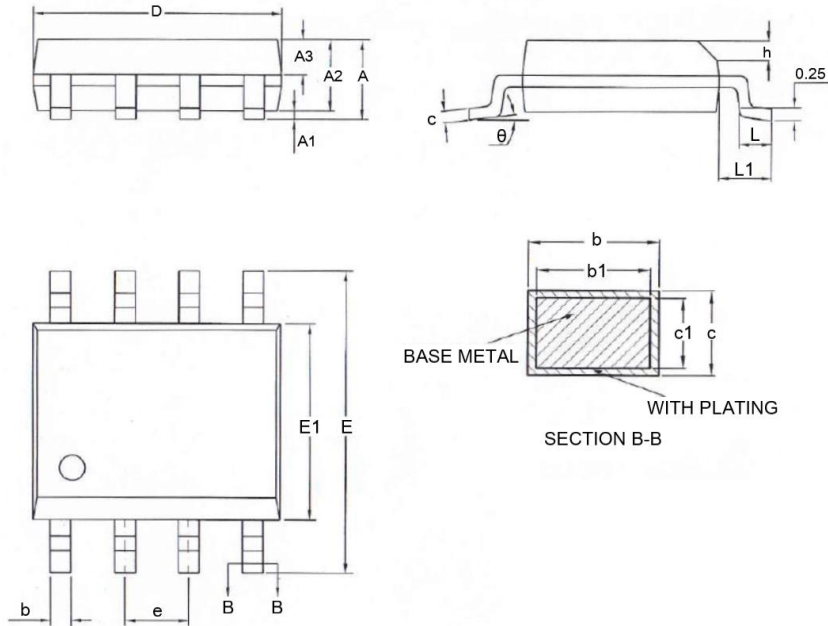
BLOCK DIAGRAM





PACKAGE INFORMATION

Dimension in SOP8 (Unit: mm)



Symbol	Min	Max
A	-	1.77
A1	0.08	0.28
A2	1.20	1.60
A3	0.55	0.75
b	0.39	0.48
b1	0.38	0.44
c	0.20	0.26
c1	0.19	0.21
D	4.70	5.10
E	5.80	6.20
E1	3.70	4.10
e	1.27 BSC	
h	0.25	0.50
L	0.50	0.80
L1	1.05 REF	
θ	0°	8°



IMPORTANT NOTICE

AiT Semiconductor Inc. (AiT) reserves the right to make changes to any its product, specifications, to discontinue any integrated circuit product or service without notice, and advises its customers to obtain the latest version of relevant information to verify, before placing orders, that the information being relied on is current.

AiT Semiconductor Inc.'s integrated circuit products are not designed, intended, authorized, or warranted to be suitable for use in life support applications, devices or systems or other critical applications. Use of AiT products in such applications is understood to be fully at the risk of the customer. As used herein may involve potential risks of death, personal injury, or severe property, or environmental damage. In order to minimize risks associated with the customer's applications, the customer should provide adequate design and operating safeguards.

AiT Semiconductor Inc. assumes to no liability to customer product design or application support. AiT warrants the performance of its products of the specifications applicable at the time of sale.