



DESCRIPTION

The A6700 series are highly precise, low noise, positive voltage LDO regulators manufactured using CMOS processes. The A6700 series achieves high ripple rejection and low dropout and consists of a standard voltage source, an error correction, current limiter and a phase compensation circuit plus a driver transistor. Output voltage is selectable in 100mV increments within a range of 1.0V ~ 5.0V.

The A6700 series is also compatible with low ESR ceramic capacitors which give added output stability. This stability can be maintained even during load fluctuations due to the excellent transient response of the A6700 series.

The CE function enables the output to be turned off, Resulting in greatly reduced power consumption.

The A6700 is available in SOT-25 and SOT89-5 packages.

ORDERING INFORMATION

Package Type	Part Number	
SOT-25 SPQ: 3,000pcs/Reel	E5	A6700E5R-XX
		A6700E5VR-XX
SOT89-5 SPQ: 1,000pcs/Reel	K5	A6700K5R-XX
		A6700K5VR-XX
Note	XX: Output Voltage, 18=1.8V, 25=2.5V, 28=2.8V, 33=3.3V, 50=5.0V V: Halogen free Package R: Tape & Reel	
AiT provides all RoHS products		

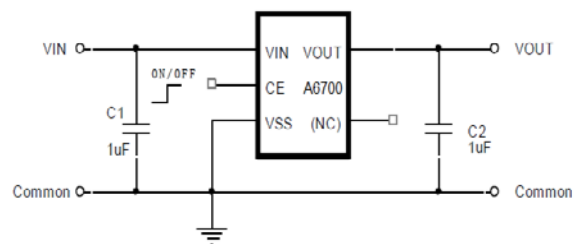
FEATURES

- Output Voltage Range 1.0V to 5.0V (selectable in 100mV steps)
- Highly Accurate $\pm 2\%$
- Dropout Voltage 50mV @ 100mA (3.0V type)
- High Ripple Rejection 60dB (1 kHz)
- Low Power Consumption 30 μ A (TYP.)
- Maximum Output Current: more than 700mA ($V_{IN} \geq V_{OUT} + 1V$)
- Standby Current less than 0.1 μ A
- Internal protector : current limiter
- Available in SOT-25 and SOT89-5 Packages.

APPLICATION

- CD-ROMs , CD-R/RW drive
- DVD drive
- HDD drive
- Cameras, Video cameras
- Portable AV equipment
- Battery powered equipment

TYPICAL APPLICATION



Caution: The above connection diagram and constant will not guarantee successful operation. Perform thorough evaluation using the actual application to set the constant.



PIN DESCRIPTION

<p style="text-align: center;">Top View</p>		<p style="text-align: center;">Top View</p>	
Pin #		Symbol	Function
SOT-25	SOT89-5		
1	4	V _{IN}	Supply Power
2	2	V _{SS}	Ground
3	1	CE	Enable PIN
4	3	NC	No Connection
5	5	V _{OUT}	Voltage Output



ABSOLUTE MAXIMUM RATINGS

Input Voltage	
V_{IN}	$V_{SS}-0.3V \sim V_{SS}+8V$
$V_{ON/OFF}$	$V_{SS}-0.3V \sim V_{IN}+0.3V$
V_{OUT} , Output Voltage	$V_{SS}-0.3V \sim V_{IN}+0.3V$
P_D , Power Dissipation	
SOT-25	400mW
SOT89-5	500mW
T_{OPR} , Operating Ambient Temperature	$-40^{\circ}C \sim +85^{\circ}C$
T_{STG} , Storage Temperature	$-40^{\circ}C \sim +125^{\circ}C$

Stresses above may cause permanent damage to the device. These are stress ratings only, and functional operation of the device at these or any other conditions beyond those indicated in the Electrical Characteristics is not implied. Exposure to absolute maximum rating conditions for extended periods may affect device reliability.

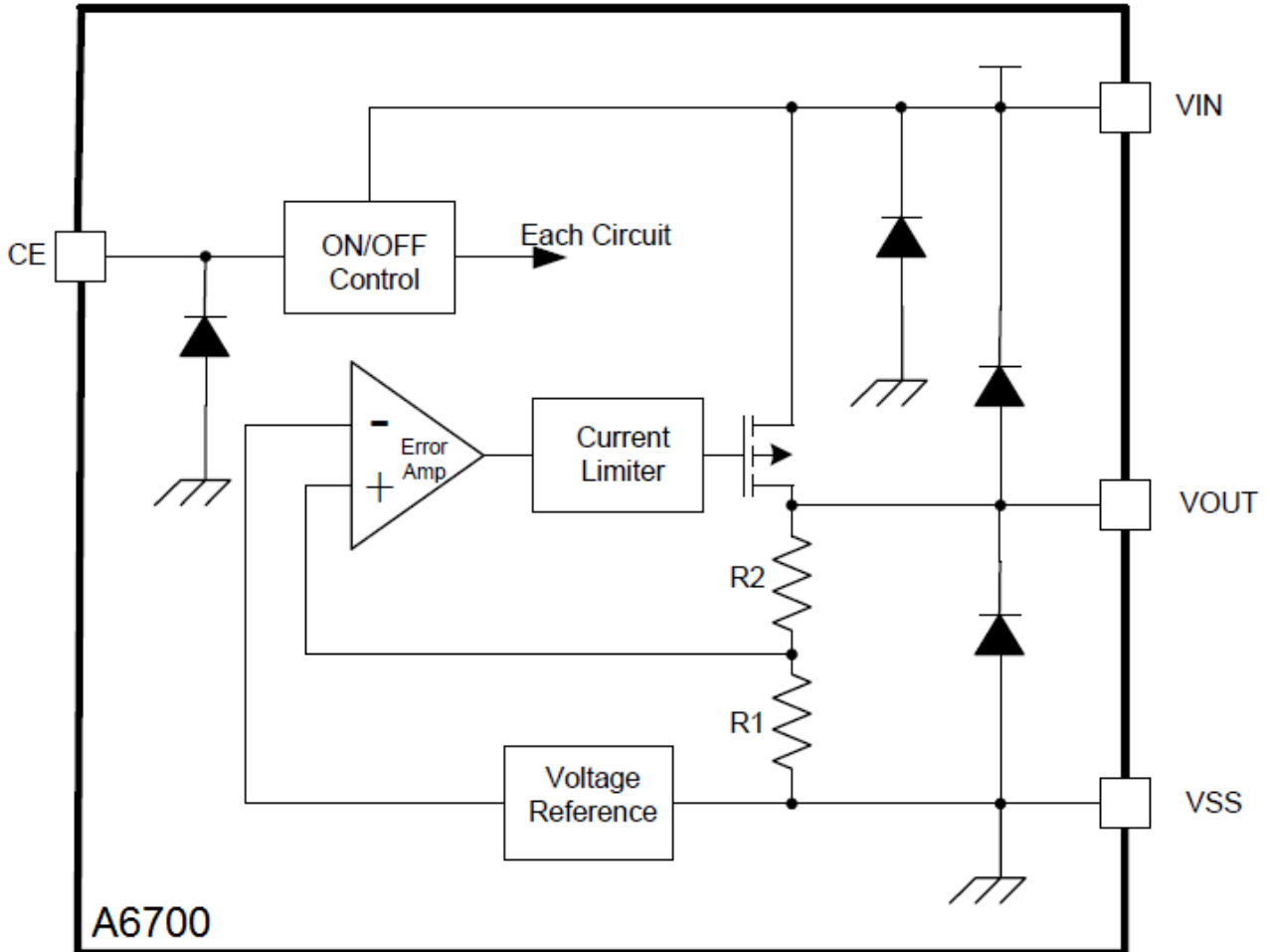


ELECTRICAL CHARACTERISTICS

Parameter	Symbol	Conditions	MIN	TYP	MAX	Unit
Output Voltage	$V_{OUT(E)}$	$V_{IN} = V_{OUT(S)} + 1.0V, I_{OUT} = 30mA$	$V_{OUT(S)} \times 0.98$	$V_{OUT(S)}$	$V_{OUT(S)} \times 1.02$	V
Output Current	I_{OUT}	$V_{IN} \geq V_{OUT(S)} + 1.0V$	700	-	-	mA
Dropout Voltage	V_{DROP}	$I_{OUT} = 30mA$	-	0.015	0.023	V
		$I_{OUT} = 100mA$	-	0.050	0.075	
Line Regulations	$\frac{\Delta V_{OUT1}}{\Delta V_{IN} \times V_{OUT}}$	$V_{OUT(S)} + 0.5V \leq V_{IN} \leq 7V,$ $I_{OUT} = 30mA$	-	0.010	0.2	%/V
	ΔV_{OUT2}	$V_{IN} = V_{OUT(S)} + 1.0V$ $1.0mA \leq I_{OUT} \leq 100mA$	-	15	60	mV
Output Voltage Temperature Characteristics	$\frac{\Delta V_{OUT}}{\Delta T_A \times V_{OUT}}$	$V_{IN} = V_{OUT(S)} + 1.0V, I_{OUT} = 10mA$ $-40^\circ C \leq T_A \leq 85^\circ C$	-	± 100	-	ppm/ °C
Supply Current	I_{SS1}	$V_{IN} = V_{OUT(S)} + 1.0V$	-	30	-	uA
Input Voltage	V_{IN}		2.0	-	7.0	V
Ripple-Rejection	PSRR	$V_{IN} = V_{OUT(S)} + 1.0V, f = 1kHz$ $V_{RIP} = 0.5V_{rms}, I_{OUT} = 50mA$	-	60	-	dB
Short-circuit Current	I_{SHORT}	$V_{IN} = V_{OUT(S)} + 1.0V, V_{CE} = ON$ $V_{OUT} = GND$	-	60	-	mA
Current limiter	I_{LIM}	$V_{OUT} = 3.3V$ $V_{IN} = V_{OUT(S)} + 1.0V, V_{CE} = ON$	-	1100	-	mA
CE "High" Voltage	V_{CEH}		1.3	-	V_{IN}	V
CE "Low" Voltage	V_{CEL}		-	-	0.25	V
CE "High" Current	I_{CEH}	$V_{IN} = V_{CE} = V_{OUT(T)} + 1.0V$	-0.1	-	0.1	uA
CE "Low" Current	I_{CEL}	$V_{IN} = V_{OUT(T)} + 1.0V, V_{CE} = V_{SS}$	-0.1	-	0.1	uA



BLOCK DIAGRAM

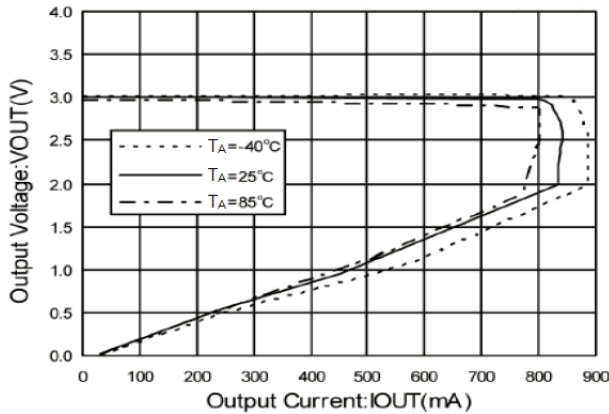




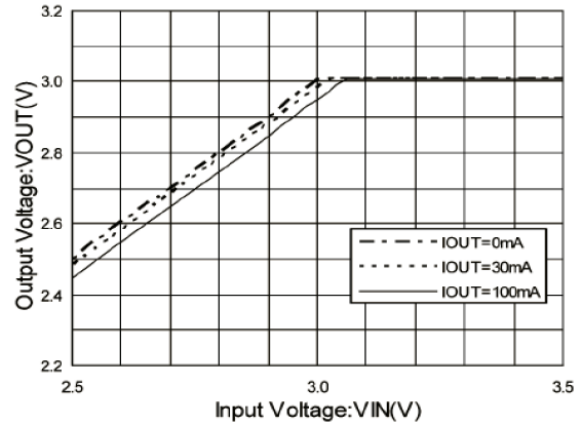
TYPICAL PERFORMANCE CHARACTERISTICS

$V_{OUT}=3V$

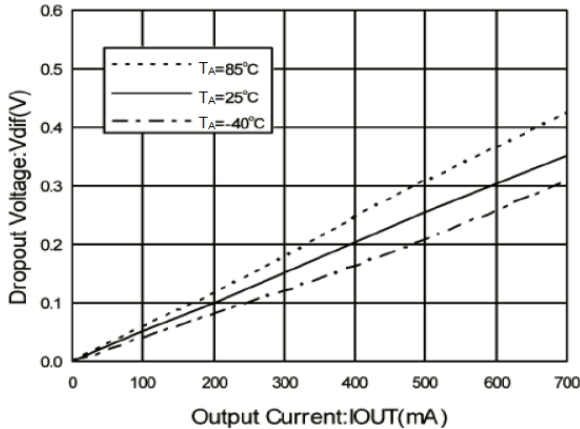
1. Output Voltage vs. Output Current
 $C_{IN}=1\mu F$ (Ceramic), $C_L=1\mu F$ (Ceramic), $V_{IN}=4.0$



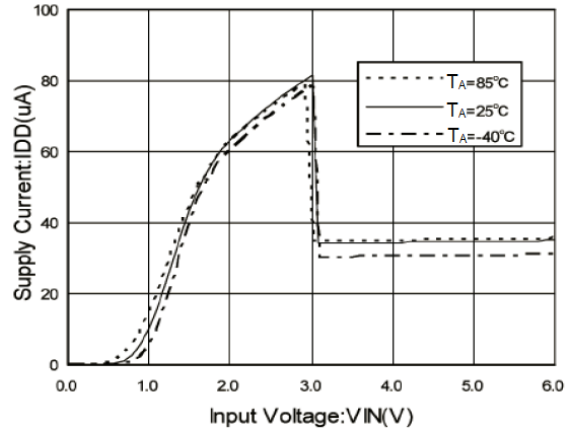
2. Output Voltage vs. Input Voltage (Contd.)
 $C_{IN}=1\mu F$ (Ceramic), $C_L=1\mu F$ (Ceramic), $T_A=25^\circ C$



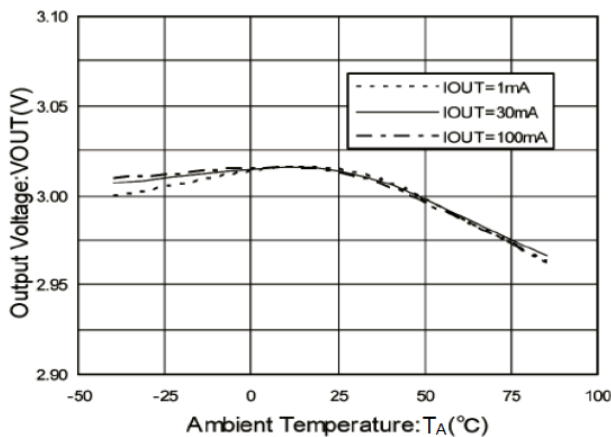
3. Dropout Voltage vs. Output Current
 $C_{IN}=1\mu F$ (Ceramic), $C_L=1\mu F$ (Ceramic)



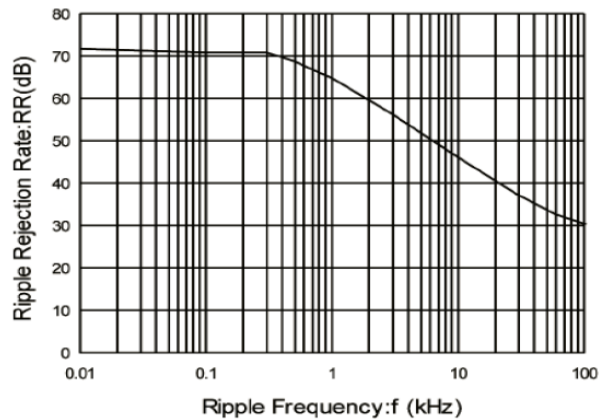
4. Supply Current vs. Supply Voltage
 $C_{IN}=1\mu F$ (Ceramic), $C_L=1\mu F$ (Ceramic)



5. Output Voltage vs. Ambient Temperature
 $C_{IN}=1\mu F$ (Ceramic), $C_L=1\mu F$ (Ceramic), $V_{IN}=4.0$



6. Ripple Rejection Rate
 $V_{IN}=4VDC+0.5Vp-pAC$, $I_{OUT}=30mA$, $T_A=25^\circ C$
 $C_{IN}=1\mu F$ (Ceramic), $C_L=1\mu F$ (Ceramic)

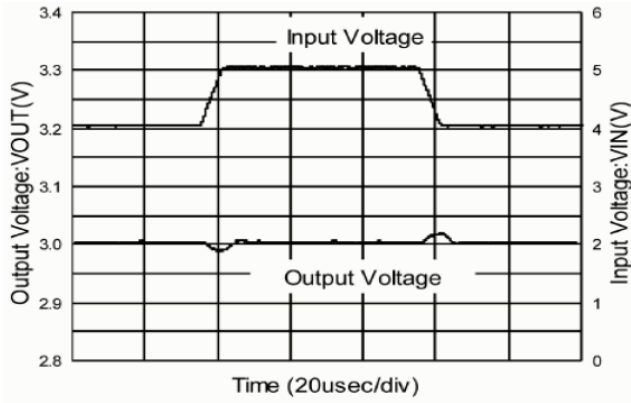




7. Transient Response

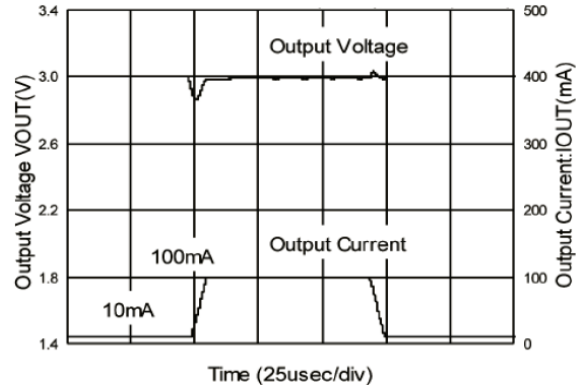
Input Transient Response

$I_{OUT}=30\text{mA}$, $t_r=t_f=5\mu\text{sec}$, $C_L=1\mu\text{F}$ (Ceramic)
 $T_A=25^\circ\text{C}$



Load Transient Response

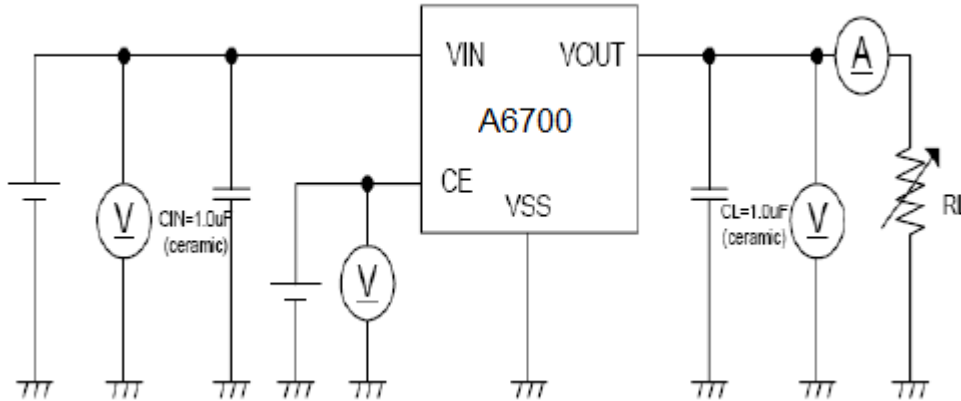
$V_{IN}=4.0$, $t_r=t_f=5\mu\text{sec}$, $C_{IN}=1\mu\text{F}$ (Ceramic),
 $C_L=1\mu\text{F}$ (Ceramic), $T_A=25^\circ\text{C}$



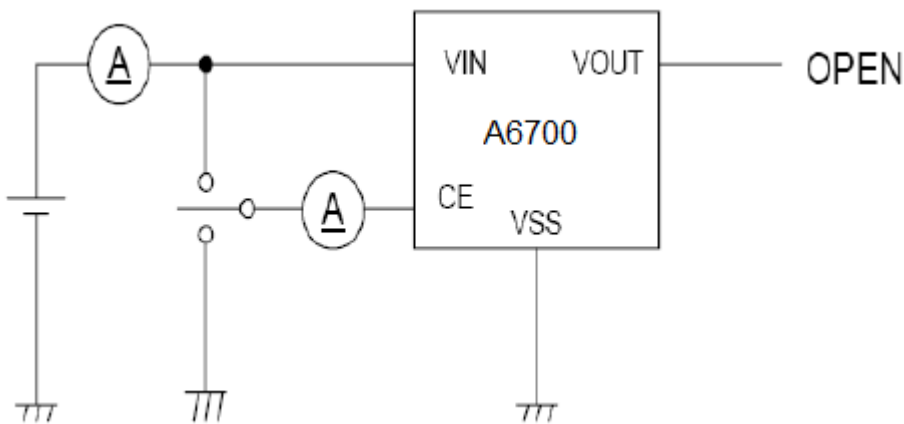


TEST CIRCUITS

1.



2.



Application Conditions

Input capacitor (C_{IN}): 1.0 μ F or more

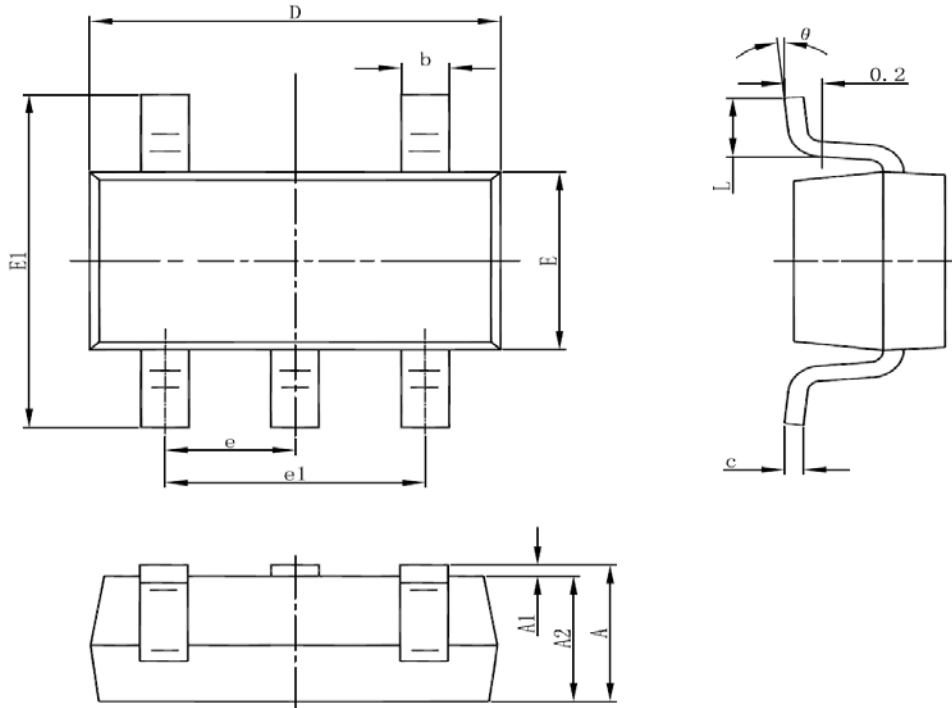
Output capacitor (C_L): 1.0 μ F or more (tantalum capacitor)

Caution A general series regulator may oscillate, depending on the external components selected. Check that no oscillation occurs with the application using the above capacitor.



PACKAGE INFORMATION

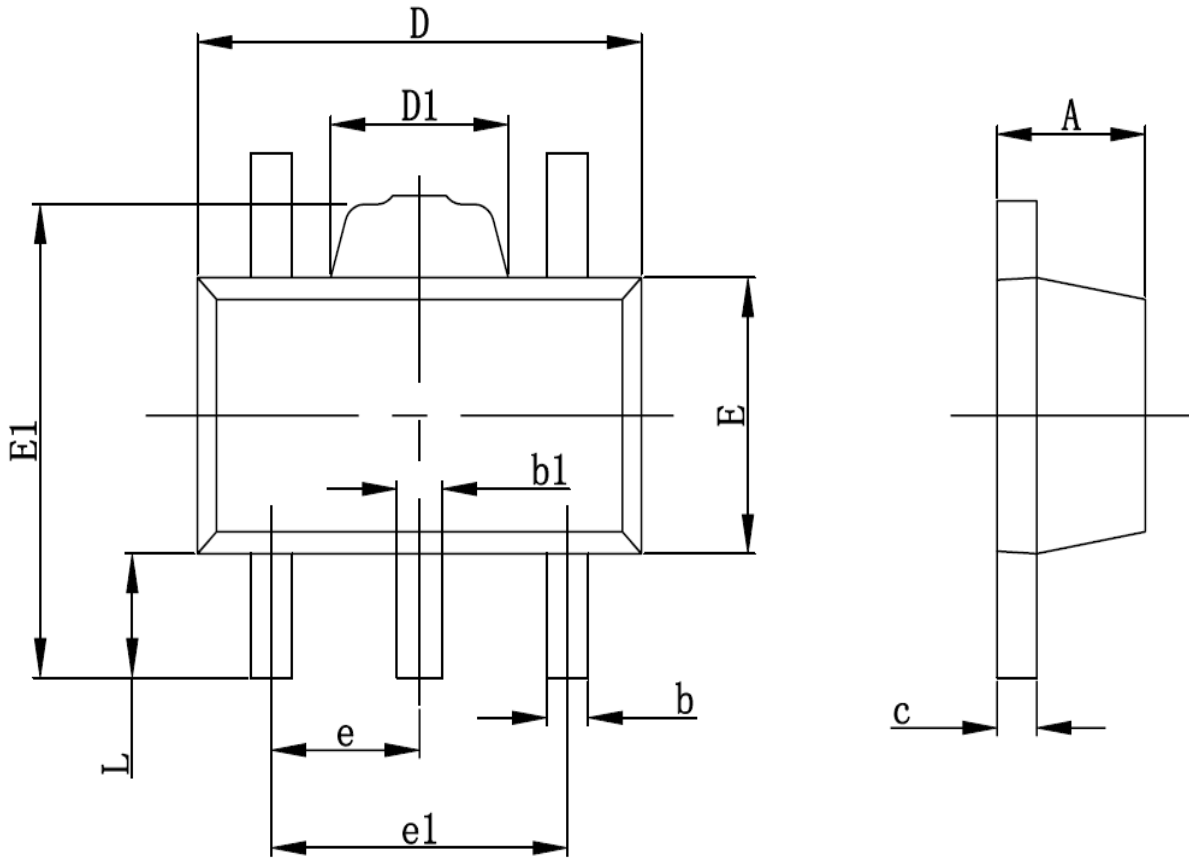
Dimension in SOT-25 (Unit: mm)



Symbol	Millimeters		Inches	
	Min	Max	Min	Max
A	1.050	1.250	0.041	0.049
A1	0.000	0.100	0.000	0.004
A2	1.050	1.150	0.041	0.045
b	0.300	0.500	0.012	0.020
c	0.100	0.200	0.004	0.008
D	2.820	3.020	0.111	0.119
E	1.500	1.700	0.059	0.067
E1	2.650	2.950	0.104	0.116
e	0.950(BSC)		0.037(BSC)	
e1	1.800	2.000	0.071	0.079
L	0.300	0.600	0.012	0.024
θ	0°	8°	0°	8°



Dimension in SOT89-5 (Unit: mm)



Symbol	Millimeters		Inches	
	Min	Max	Min	Max
A	1.400	1.600	0.055	0.063
b	0.320	0.520	0.013	0.020
b1	0.360	0.560	0.014	0.022
c	0.350	0.440	0.014	0.017
D	4.400	4.600	0.173	0.181
D1	1.400	1.800	0.055	0.071
E	2.300	2.600	0.091	0.102
E1	3.940	4.250	0.155	0.167
e	1.500 TYP.		0.060 TYP.	
e1	2.900	3.100	0.114	0.122
L	0.900	1.100	0.035	0.043



IMPORTANT NOTICE

AiT Semiconductor Inc. (AiT) reserves the right to make changes to any its product, specifications, to discontinue any integrated circuit product or service without notice, and advises its customers to obtain the latest version of relevant information to verify, before placing orders, that the information being relied on is current.

AiT Semiconductor Inc.'s integrated circuit products are not designed, intended, authorized, or warranted to be suitable for use in life support applications, devices or systems or other critical applications. Use of AiT products in such applications is understood to be fully at the risk of the customer. As used herein may involve potential risks of death, personal injury, or server property, or environmental damage. In order to minimize risks associated with the customer's applications, the customer should provide adequate design and operating safeguards.

AiT Semiconductor Inc. assumes to no liability to customer product design or application support. AiT warrants the performance of its products of the specifications applicable at the time of sale.