



DESCRIPTION

The A7131 is a high-efficiency, DC-to-DC step-down switching regulators, capable of delivering up to 3.0A of output current. The A7131 operates from an input voltage range of 2.5V to 5.5V and provides an output voltage from 0.6V to $V_{IN}-0.3V$, making the device A7131 ideal for low voltage power conversions.

Running at a fixed frequency of 1.5MHz allows the use of small external components, such as ceramic input and output caps, as well as small inductors, while still providing low output ripples. This low noise output along with its excellent efficiency achieved by the internal synchronous rectifier, making A7131 an ideal green replacement for large power consuming linear regulators.

Internal soft-start control circuitry reduces inrush current. Short-circuit and thermal-overload protection improves design reliability.

The A7131 is available in PSOP8 package.

ORDERING INFORMATION

Package Type	Part Number	
PSOP8 SPQ: 3,000pcs/Reel	MP8	A7131MP8R
		A7131MP8VR
Note	V: Halogen free Package R: Tape & Reel	
AiT provides all RoHS products		

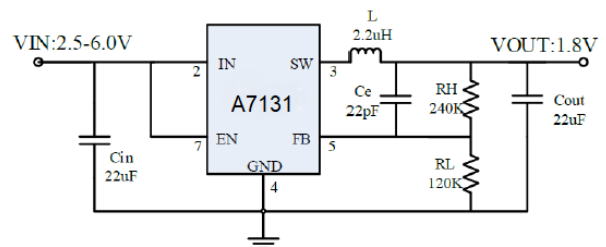
FEATURES

- High Efficiency: Up to 95%
- Capable of Delivering 3.0A
- 1.5MHz Switching Frequency
- No External Schottky Diode Needed
- Low dropout 100% Duty operation
- Internal Compensation and Soft-Start
- Current Mode control
- 0.6V Reference for Low Output voltages
- Logic Control Shutdown ($I_{Q}<1\mu A$)
- Over Voltage Protection
- Short Circuit Protection
- Thermal shutdown and UVLO
- Available in PSOP8 Package

APPLICATION

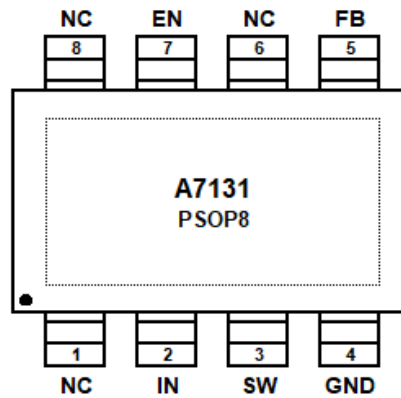
- Digital Cameras
- Set top boxes
- Wireless and DSL Modems
- USB supplied Devices in Notebooks
- Portable Devices

TYPICAL APPLICATION





PIN DESCRIPTION



Pin #	Symbol	Function
1	NC	Not Connected
2	IN	Power Supply Input Pin. Must be closely decoupled to GND with at least 10uF ceramic cap.
3	SW	Inductor connection. Connect an inductor between SW and the regulator output.
4	GND	Ground
5	FB	Feedback input. Connect an external resistor divider from the output to FB and GND to set the output to a voltage between 0.6V and V_{in}
6	NC	Not Connected
7	EN	Enable pin for the IC. Drive the pin to high to enable the part, and low to disable
8	NC	No Connection.



ABSOLUTE MAXIMUM RATINGS

Max Input Voltage	6.0V
T _J , Max Operating Junction Temperature	150°C
T _A , Ambient Temperature	-40°C ~ +85°C
Maximum Power Dissipation	PSOP8 1W
T _S , Storage Temperature	-40°C ~ +150°C
Lead Temperature & Time	260°C, 10s

Stress beyond above listed "Absolute Maximum Ratings" may lead permanent damage to the device. These are stress ratings only and operations of the device at these or any other conditions beyond those indicated in the operational sections of the specifications are not implied. Exposure to absolute maximum rating conditions for extended periods may affect device reliability.

RECOMMENDED OPERATING CONDITIONS

Parameter	Symbol	Value	Units
V _{IN} Supply Voltage	V _{IN}	2.5 ~ 5.5	V
Operating Temperature	T _{OPT}	-40 ~ +85	°C



ELECTRICAL CHARACTERISTICS

$V_{IN}=5.0V$, $L=2.2\mu H$, $T_A=25^\circ C$, unless otherwise specified.

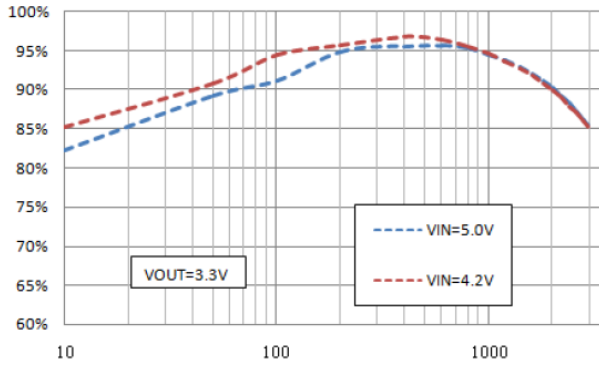
Parameter	Symbol	Conditions	Min.	Typ.	Max.	Unit
Input Voltage Range	V_{IN}		2.5	-	5.5	V
Feedback Voltage	V_{FB}		0.588	0.6	0.612	V
Feedback Leakage Current	I_{FB}		-	0.1	0.4	μA
Quiescent Current	I_Q	Active, $V_{FB}=0.65V$	-	40	-	μA
Shutdown Current	I_{SD}	Shutdown	-	-	1	μA
Switching Frequency	f_{SW}		-	1.5	-	MHz
PMOSFET $R_{DS(ON)}$	R_{ONP}		-	100	-	$m\Omega$
NMOSFET $R_{DS(ON)}$	R_{ONN}		-	75	-	$m\Omega$
UVLO Threshold	V_{UVLO}		-	-	2.5	V
UVLO Hysteresis	V_{1HYS}		-	0.15	-	V
Peak Current Limit	I_{LIMIT}		5.0	-	-	A
SW Leakage Current	I_{SW}	$V_{IN}=5.5V$, $V_{SW}=0$ or $5.5V$, $V_{EN}=0V$	-	-	1	μA
Over Voltage Threshold	V_{OVP}		-	6.15	-	V
OVP Hysteresis	V_{2HYS}		-	0.3	-	V
EN Leakage Current	I_{EN}		-	-	1	μA
Soft Start Time	t_{SOFT}		-	350	-	μs
EN Input High Voltage	V_{ENH}		1.5	-	-	V
EN Input Low Voltage	V_{ENL}		-	-	0.4	V
Thermal Shutdown	T_{SD}		-	150	-	$^\circ C$
Hysteresis Thermal Shutdown	T_{HSD}		-	20	-	$^\circ C$
Discharge Resistor	R_{dis}		-	150	-	Ω



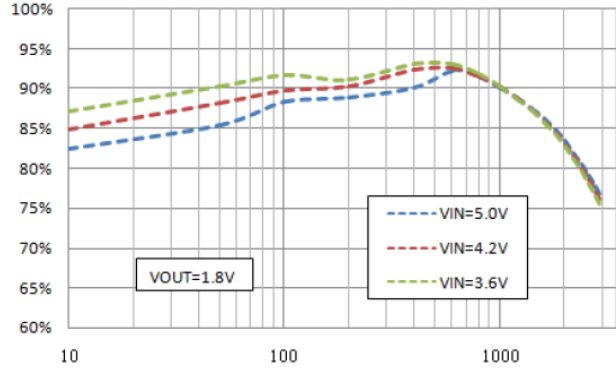
TYPICAL PERFORMANCE CHARACTERISTICS

$C_{IN}=22\mu F$, $C_{OUT}=22\mu F$, $L=2.2\mu H$, $C_e=22pF$, Tested under $T_A=25^\circ C$, unless otherwise specified

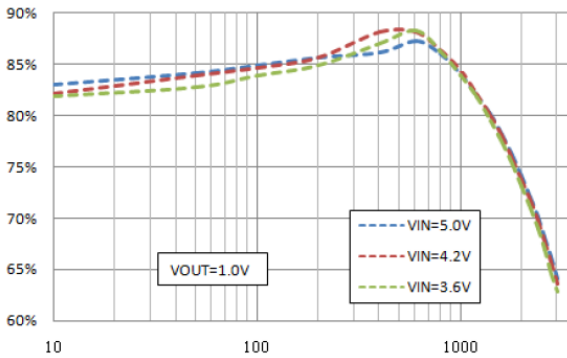
1. Efficiency vs. Load Current



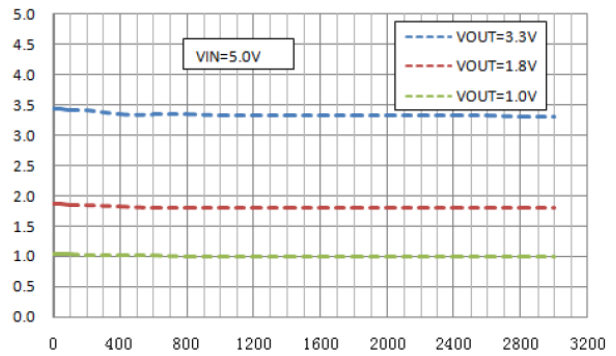
2. Efficiency vs. Load Current



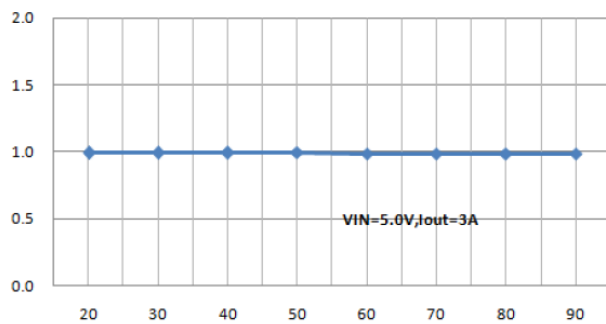
3. Efficiency vs. Load Current



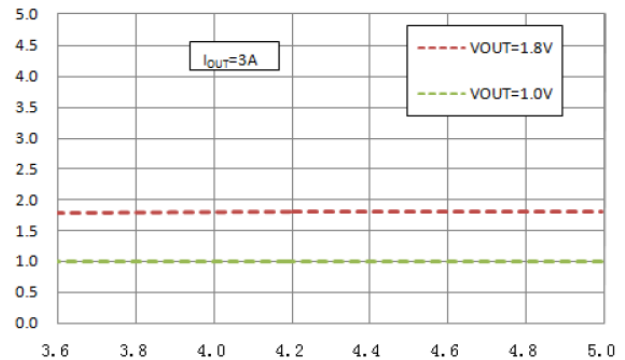
4. Output Voltage vs. Output Current



5. Operation Temperature vs. Output Voltage

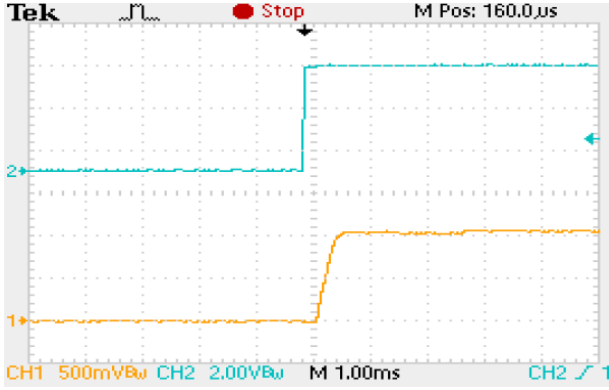


6. Input Voltage vs. Output Voltage

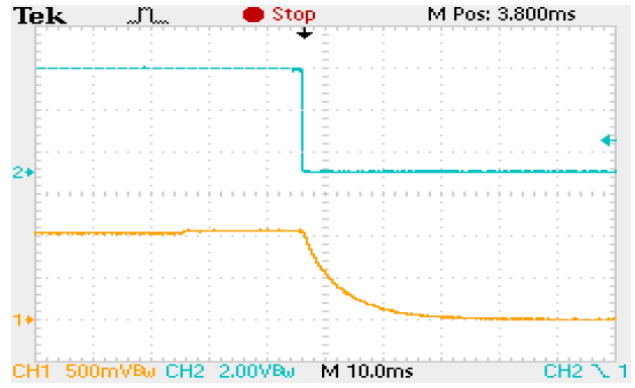




7. Start Up Waveform



8. Shutdown Waveform





DETAILED INFORMATION

Operation Description

The A7131 high-efficiency switching regulator is a small, simple, DC-to-DC step-down converter capable of delivering up to 3.0A of output current. The device operates in pulse-width modulation (PWM) at 1.5MHz from a 2.5V to 5.5V input voltage and provides an output voltage from 0.6V to $V_{IN}-0.3V$, making the A7131 ideal for on-board post-regulation applications. An internal synchronous rectifier improves efficiency and eliminates the typical Schottky free-wheeling diode. Using the on resistance of the internal high-side MOSFET to sense switching currents eliminates current-sense resistors, further improving efficiency and cost.

Loop Operation

A7131 uses a PWM current-mode control scheme. An open-loop comparator compares the integrated voltage-feedback signal against the sum of the amplified current-sense signal and the slope compensation ramp. At each rising edge of the internal clock, the internal high-side MOSFET turns on until the PWM comparator terminates the on cycle. During this on-time, current ramps up through the inductor, sourcing current to the output and storing energy in the inductor. The current mode feedback system regulates the peak inductor current as a function of the output voltage error signal. During the off cycle, the internal high-side P-channel MOSFET turns off, and the internal low-side N-channel MOSFET turns on. The inductor releases the stored energy as its current ramps down while still providing current to the output.

Current Sense

An internal current-sense amplifier senses the current through the high-side MOSFET during on time and produces a proportional current signal, which is used to sum with the slope compensation signal. The summed signal then is compared with the error amplifier output by the PWM comparator to terminate the on cycle.

Output OVP

If the output voltage exceeds 120% of the regulation level for more than 20us, the A7131 will turn off both power switches and turn on the discharge switch, entering over-voltage protection. It will remain in this state until IN and EN voltage is recycled.

Short Protection

After the soft start is over, if the output voltage falls below 40% of the regulation level, the A7131 will turn off both power switches, entering the short circuit protection. It will remain in this state until IN or EN voltage is recycled.



Current Limit

There is a cycle-by-cycle current limit on the high-side MOSFET of 5.0A (min). When the current flowing out of SW exceeds this limit, the high-side MOSFET turns off and the synchronous rectifier turns on. A7131 utilizes a frequency fold-back mode to prevent overheating during short-circuit output conditions. The device enters frequency fold-back mode when the FB voltage drops below 200mV, limiting the current to 5.0A and reducing power dissipation. Normal operation resumes upon removal of the short-circuit condition.

Soft-start

A7131 has a internal soft-start circuitry to reduce supply inrush current during startup conditions. When the device exits under-voltage lockout (UVLO), shutdown mode, or restarts following a thermal-overload event, the soft-start circuitry slowly ramps up current available at SW.

UVLO and Thermal Shutdown

If IN drops below 2.5V, the UVLO circuit inhibits switching. Once IN rises above 2.5V, the UVLO clears, and the soft-start sequence activates. Thermal-overload protection limits total power dissipation in the device. When the junction temperature exceeds $T_J = +150^{\circ}\text{C}$, a thermal sensor forces the device into shutdown, allowing the die to cool. The thermal sensor turns the device on again after the junction temperature cools by 15°C , resulting in a pulsed output during continuous overload conditions. Following a thermal-shutdown condition, the soft-start sequence begins.



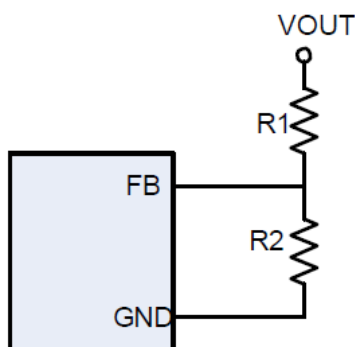
APPLICATION INFORMATION

Setting Output Voltages

Output voltages are set by external resistors. The FB threshold is 0.6V.

$$R_1 = R_2 [(V_{OUT} / 0.6) - 1]$$

Set R_2 to 100k, then R_1 can be easily derived from the above equation.



Output Capacitor C_{OUT} :

The output capacitor is selected to handle the output ripple noise requirements, both steady state ripple and transient requirements must be taken into consideration when selecting this capacitor. For the best performance, it is recommended to use X5R or better grade ceramic capacitor with 6.3V rating and greater than 22 μ F capacitance.

Input Capacitor Selection

This ripple current through input capacitor is calculated as:

$$I_{CIN_RMS} = I_{OUT} \sqrt{D(1-D)}$$

This formula has a maximum at $V_{IN}=2V_{OUT}$ condition, where $I_{CIN_RMS}=I_{OUT}/2$. This simple worst-case condition is commonly used for the DC-DC design.

With the maximum load current at 2.5A, A typical X5R or better grade ceramic capacitor with 6.3V rating and more than 1pcs 22 μ F capacitor can handle this ripple current well. To minimize the potential noise problem, ceramics ceramic capacitor should really be placed close to IN and GND pins. Care should be taken to minimize the loop area formed by C_{IN} and IN/GND pins.

Inductor Selection

There are several considerations in choosing this induction.

1. Choose the inductance to provide the desired ripple current. It is suggested to choose the ripple to be about 40% of maximum output current. The inductance is calculated as:



$$L = \frac{V_{OUT} (1 - V_{OUT}/V_{IN,MAX})}{f_{SW} \times I_{OUT,MAX} \times 40\%}$$

Where f_{SW} is the switching frequency and $I_{OUT,MAX}$ is the maximum load current.

The A7131 regulator IC is quite tolerant of different ripple current amplitude. Consequently, the final choice of inductance can be slightly off the calculation value without significantly impacting the performance.

2. The saturation current rating of the inductor must be selected to be greater than the peak inductor current under full load conditions.

$$I_{SAT,MIN} > I_{OUT,MAX} + \frac{V_{OUT}(1 - V_{OUT}/V_{IN,MAX})}{2 \times f_{SW} \times L}$$

3. The DCR of inductor and the ore loss at the switching frequency must be low enough to achieve the desired efficiency requirement. It is desirable to choose an inductor with $DCR < 50m\Omega$ to achieve a good overall efficiency.

Layout Consideration

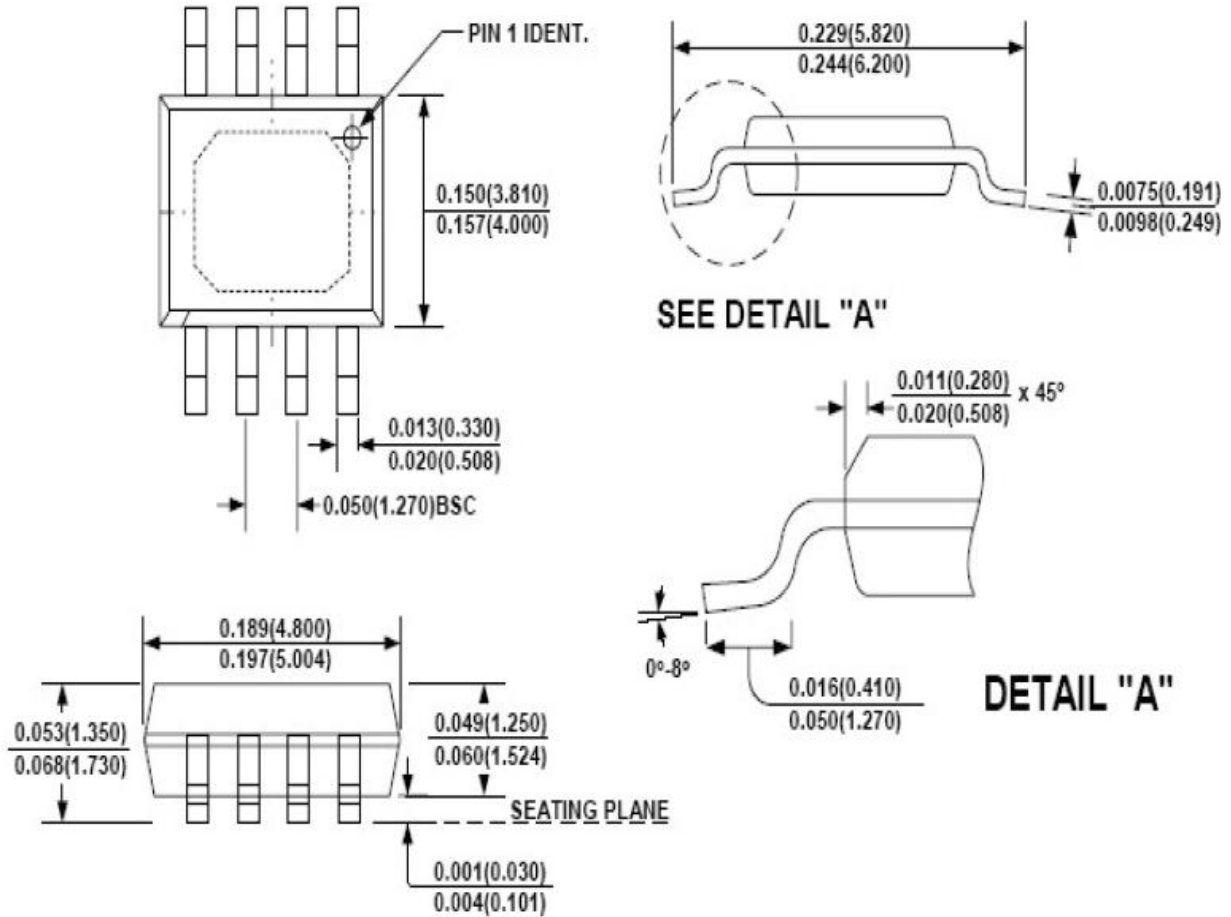
Layout is critical to achieve clean and stable operation. The switching power stage requires particular attention. Follow these guidelines for good PC board layout:

1. Place decoupling capacitors as close to the IC as possible
2. Connect input and output capacitors to the same power ground node with a star ground configuration then to IC ground.
3. Keep the high-current paths as short and wide as possible. Keep the path of switching current (C_{IN} to IN and C_{IN} to GND) short. Avoid vias in the switching paths.
4. If possible, connect IN, SW, and GND separately to a large copper area to help cool the IC to further improve efficiency and long-term reliability.
5. Ensure all feedback connections are short and direct. Place the feedback resistors as close to the IC as possible.
6. Route high-speed switching nodes away from sensitive analog area.



PACKAGE INFORMATION

Dimension in PSOP8 (Unit: mm)



NOTE:

1) Control dimension is in inches. Dimension in bracket is millimeters.



IMPORTANT NOTICE

AiT Semiconductor Inc. (AiT) reserves the right to make changes to any its product, specifications, to discontinue any integrated circuit product or service without notice, and advises its customers to obtain the latest version of relevant information to verify, before placing orders, that the information being relied on is current.

AiT Semiconductor Inc.'s integrated circuit products are not designed, intended, authorized, or warranted to be suitable for use in life support applications, devices or systems or other critical applications. Use of AiT products in such applications is understood to be fully at the risk of the customer. As used herein may involve potential risks of death, personal injury, or server property, or environmental damage. In order to minimize risks associated with the customer's applications, the customer should provide adequate design and operating safeguards.

AiT Semiconductor Inc. assumes to no liability to customer product design or application support. AiT warrants the performance of its products of the specifications applicable at the time of sale.