



• **DESCRIPTION**

Toroid Choke, 30uH±20%

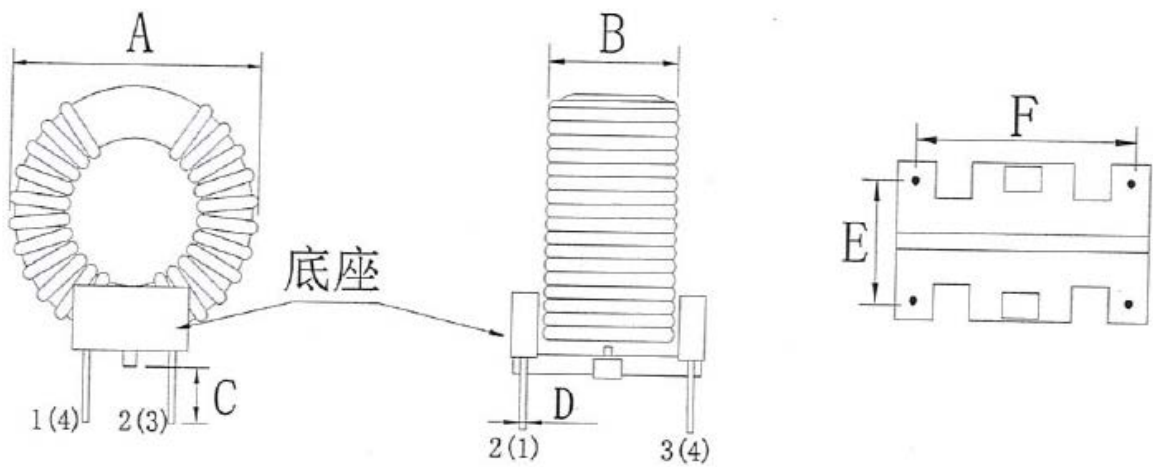
• **ELECTRICAL REQUIREMENTS**

1. L(1-4): 30uH±20%
2. L(2-3): 30uH±20%
3. DCR(1-4): 100mΩ MAX.
4. DCR(2-3): 100mΩ MAX.

• **TEST METHOD**

1. TEST EQUIPMENT: CH1062A / CH1320
2. TEST FREQUENCY : 1kHz, 0.25V

• **DIMENSION (UNIT:mm)**



Position	A(mm)	B(mm)	C(mm)	D(mm)	E(mm)	F(mm)
Dimension	13.5Max.	6.5Max.	3.0Min.	0.6±0.1	5±0.3	7.5±0.3

• **CIRCUIT**

