



### Features

- Resistance welded type crystal units.
- A great number of standard frequencies.
- Wide frequency from 3MHz up to 100MHz.
- Offers excellent frequency stability.
- High frequency pullability and lower equivalent series resistance.
- Lower cost and highly mass production capability.
- The best choice of TV, STB, LCDM, Communication, Cable modem, etc.



### Electrical Specifications

Type	KHC49U QUARTZ CRYSTAL
Frequency Range	3MHz~100MHz
Frequency Tolerance(at 25°C)	±30ppm, or specify
Frequency Stability Over Operating Temperature Range	±30ppm, or specify
Operating Temperature Range	-20°C~+70°C, or specify
Shunt Capacitance(C0)	7pF Max.
Drive Level	1~500µW Max.(100µW Typical)
Load Capacitance	16pF, 20pF,30pF, 32pF, or specify
Aging(at 25°C)	±3ppm / year Max.
Storage Temperature Range	-55~+125°C
Packing Unit	1000pcs/Box

### Equivalent Series Resistance(ESR)

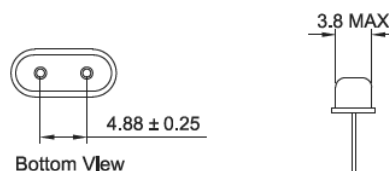
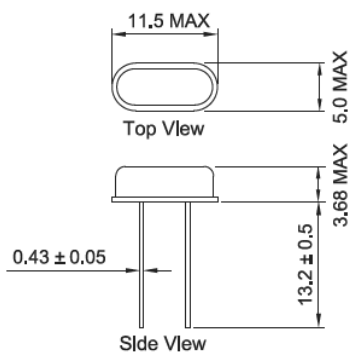
Fundamental		3rd Overtone	
3.0~3.686MHz	200 Ω Max.	27~30MHz	100 Ω Max.
3.686~5MHz	150 Ω Max.	30~50MHz	80 Ω Max.
5~10MHz	80 Ω Max.	50~100MHz	60 Ω Max.
10~14MHz	40 Ω Max.		
14~30MHz	30 Ω Max.		

### Ordering Information

KHC49Ux	016M	20	30	30	A	
Product Code	Frequency	Load	Frequency	Frequency	Operating Temperature	
x:High	Range	Capacitance	Tolerance	Stability	A:-20~+70°C	D:-40~+125°C
2:2.5mm	16.000MHz	20=20pF	30=±30ppm	30=±30ppm	B:-10~+70°C	E:-10~+60°C
3:3.5mm		00=Series			C:-40~+85°C	F:-30~+70°C

### Dimension

Units:mm



KHC49U2	H=2.5±0.2mm
KHC49U3	H=3.5±0.2mm