



### Electrical Characteristics For THD Type

| Part Number | Frequency Range(MHz) | Frequency Accuracy(at25°C) | Frequency Stability | Operating Temperature | Aging for Ten Year(%) |
|-------------|----------------------|----------------------------|---------------------|-----------------------|-----------------------|
| ZTA...MG    | 1.79~6.00            | ±0.5                       | ±0.3                | -25~+85°C             | ±0.3                  |
| ZTA...MT    | 6.00~13.00           | ±0.5                       | ±0.3                | -25~+85°C             | ±0.3                  |
| ZTA...MX    | 13.00~60.00          | ±0.5                       | ±0.3                | -25~+85°C             | ±0.3                  |

### Electrical Characteristics For SMD Type

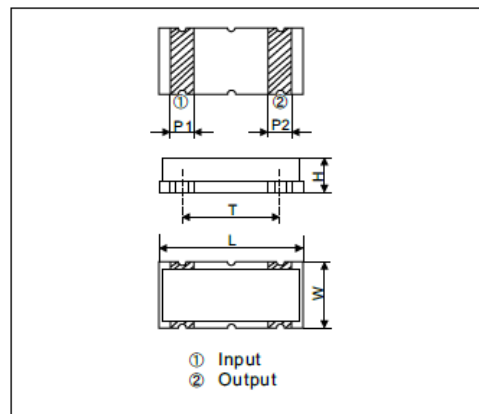
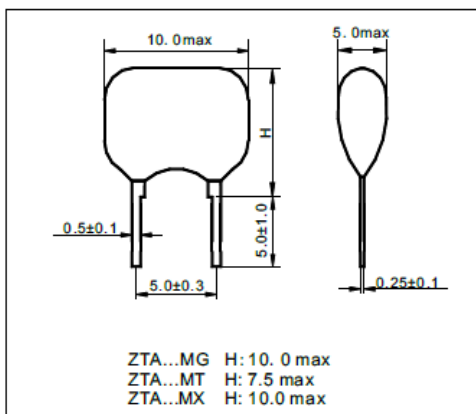
| Part Number   | Frequency Range(MHz) | Frequency Accuracy(at25°C) | Frequency Stability | Operating Temperature | Aging for Ten Year(%) |
|---------------|----------------------|----------------------------|---------------------|-----------------------|-----------------------|
| ZTACC...MG    | 2.00~8.00            | ±0.5                       | ±0.3                | -25~+85°C             | ±0.3                  |
| ZTACR...MG    | 4.00~8.00            | ±0.5                       | ±0.3                | -25~+85°C             | ±0.3                  |
| ZTACE...MG    | 8.00~12.00           | ±0.5                       | ±0.3                | -25~+85°C             | ±0.3                  |
| ZTACS...MT/MX | 6.00~60.00           | ±0.5                       | ±0.3                | -25~+85°C             | ±0.3                  |
| ZTACV...MT/MX | 8.00~60.00           | ±0.5                       | ±0.3                | -25~+85°C             | ±0.3                  |
| ZTACW...MX    | 20.00~60.00          | ±0.5                       | ±0.3                | -25~+85°C             | ±0.3                  |
| ZTACZ...MX    | 24.00~60.00          | ±0.5                       | ±0.3                | -25~+85°C             | ±0.3                  |
| ZTACP...MG    | 2.00~12.00           | ±0.5                       | ±0.3                | -25~+85°C             | ±0.3                  |

### Ordering Information

| ZTA / ZTACx                              | 01M79                      | MG                    |
|--|----------------------------|-----------------------|
| Product Code<br>x:Class(C,R,E,S,V,W,Z,P) | Frequency Range<br>1.79MHz | Size Code<br>MG/MT/MX |

### Dimensions

Units:mm



| Part Number   | Size (mm) |         |             |         |         |         |
|---------------|-----------|---------|-------------|---------|---------|---------|
|               | L         | W       | H           | P1      | P2      | T       |
| ZTACC...MG    | 7.4±0.2   | 3.4±0.2 | 1.8±0.2     | 1.2±0.2 | 1.2±0.2 | 5.0±0.2 |
| ZTACR...MG    | 4.5±0.2   | 2.0±0.2 | 1.2max      | 0.8±0.2 | 0.8±0.2 | 1.5±0.2 |
| ZTACE...MG    | 3.2±0.2   | 1.3±0.2 | 1.0max      | 0.4±0.2 | 0.4±0.2 | 1.2±0.2 |
| ZTACS...MX/MT | 4.7±0.2   | 4.1±0.2 | (1.2+A)±0.2 | 1.0±0.2 | 0.8±0.2 | 3.9±0.2 |
| ZTACV...MT/MX | 3.7±0.2   | 3.1±0.2 | (1.0+A)±0.2 | 0.9±0.2 | 0.7±0.2 | 3.0±0.2 |
| ZTACW...MX    | 2.5±0.2   | 2.0±0.2 | 1.2max      | 0.5±0.2 | 0.4±0.2 | 2.0±0.2 |
| ZTACZ...MX    | 2.2±0.2   | 1.8±0.2 | 1.2max      | 0.4±0.2 | 0.5±0.2 | 1.7±0.2 |
| ZTACP...MG    | 6.0±0.2   | 3.0±0.2 | 1.8±0.2     | 1.2±0.2 | 1.2±0.2 | 5.0±0.2 |

Note: A stands for thickness of the ceramic element, which varies with the frequency. The range of the thickness difference is 0.1 to 0.7mm. No middle terminal for ZTA series.